



Innovation, Know-how & Originality

Made in Japan With Competitive Pricing

CFKR

Double Hex Hole Cam Followers Now available in sizes 22 and 26

INA Comparison	Basic dynamic load rating C (N)	Basic Static load rating C ₀ (N)	INA Comparison	Basic dynamic load rating C (N)	Basic Static load rating C ₀ (N)
INA KR30	6800	8600	INA KR62	26000	48000
IKO CFKR 32	7910	9790	IKO CFKR 72	30500	52600
INA KR32	7100	9200	INA KR72	28000	53000
IKO CFKR 35	12000	18300	IKO CFKR 80	45400	85100
INA KR35	9700	14300	INA KR80	38500	77000
IKO CFKR 40	14800	25200	IKO CFKR 85	45400	85100
INA KR40	10900	15800	INA -	-	-
IKO CFKR 52	20700	34600	IKO CFKR 90	45400	85100
INA KR52	16600	29000	INA KR90	40500	83000
IKO CFKR 47	20700	34600			
INA KR47	15400	26000			

NIPPON THOMPSON CO., LTD. (JAPAN)

Head Office : 19-13 Takanawa 2-chome Minato-ku
Tokyo 108-8586, Japan
Phone : +81 (0)3-3448-5850
Fax : +81 (0)3-3447-7637
E-mail : ntt@ikonet.co.jp
URL : <http://www.ikont.co.jp/eg>
Plant : Gifu, Kamakura

NIPPON THOMPSON EUROPE B.V. (EUROPE)

The Netherlands : Phone. 31-(10)462 68 68 Fax. 31-(10)462 60 99
Germany Branch : Phone. 49-(211)41 40 61 Fax. 49-(211)42 76 93
Regensburg Sales Office : Phone. 49-(941)20 60 70 Fax. 49-(941)20 60 719
Neunkirchen Sales Office : Phone. 49-(6821)99 98 60 Fax. 49-(6821)99 98 626
U.K. Branch : Phone. 44-(1908)5661 44 Fax. 44-(1908)565458
Spain Branch : Phone. 34-(949)26 33 90 Fax. 34-(949)26 31 13
France Branch : Phone. 33-(1)48 16 57 39 Fax. 33-(1)48 16 57 46

IKO INTERNATIONAL, INC. (U.S.A.) <http://www.ikont.com>

East Coast Operations : Phone.1-(973)402-0254 Fax. 1-(973)402-0441
Midwest Operations : Phone.1-(630)766-6464 Fax. 1-(630)766-6869
Minnesota Sales Office : Phone.1-(952)892-8415 Fax. 1-(952)892-1722
West Coast Operations : Phone.1-(562)941-1019 Fax. 1-(562)941-4027
Silicon Valley Sales Office : Phone.1-(408)492-0240 Fax. 1-(408)492-0245
Southeast Operations : Phone.1-(770)418-1904 Fax. 1-(770)418-9403
Southwest Operations : Phone.1-(972)929-1515 Fax. 1-(972)915-0060

IKO-THOMPSON (SHANGHAI) LTD. (CHINA)

Shanghai (Sales Head Office) : Phone. 86-21-3250-5525 Fax. 86-21-3250-5526
Beijing Branch : Phone. 86-10-6515-7681 Fax. 86-10-6515-7681*106
Guangzhou Branch : Phone. 86-20-8384-0797 Fax. 86-20-8381-2863
Wuhan Branch : Phone. 86-27-8556-1610 Fax. 86-27-8556-1630
Shenzhen Office : Phone. 86-(755)-2265-0553 Fax. 86-(755)-2298-0665
Ningbo Office : Phone. 86-(574)8718-9535 Fax. 86-(574)8718-9533
Qingdao Office : Phone. 86-(532)8670-2246 Fax. 86-(532)8670-2242
Shenyang Office : Phone. 86-(24)2334-2662 Fax. 86-(24)2334-2442

IKO THOMPSON BEARINGS CANADA, INC.(CANADA)

: Phone. 1-(905)361-2872 Fax. 1-(905)361-6401

IKO THOMPSON KOREA CO.,LTD. (KOREA)

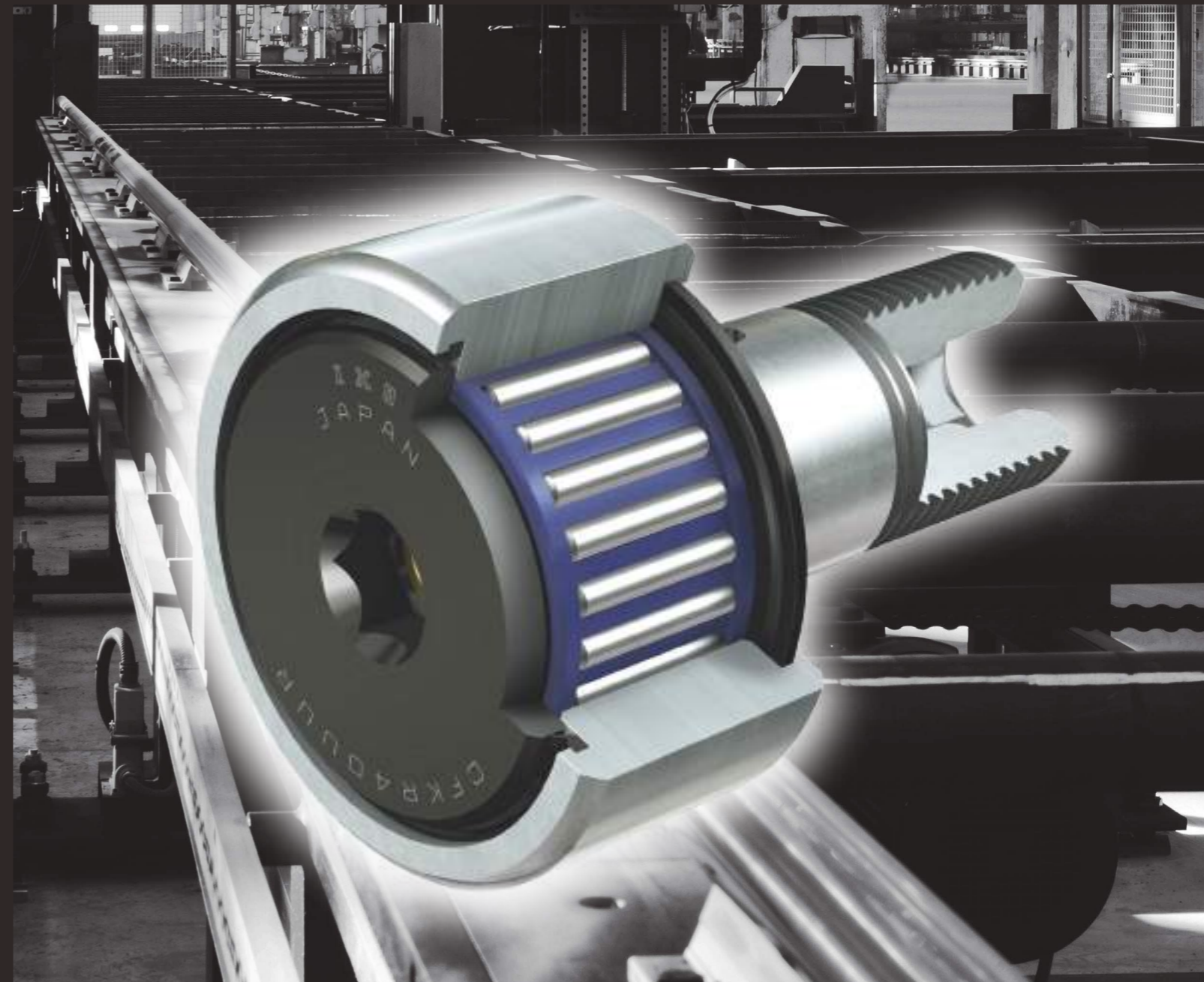
: Phone. 82-(0)2-6337-5851 Fax. 82-(0)2-6337-5852

IKO THOMPSON BRAZIL SERVICE CO.,LTD. (BRAZIL)

: Phone. 55-(11) 2186-0221 Fax. 55-(11)2186-0299

IKO THOMPSON ASIA CO., LTD. (THAILAND)

: Phone. 66-(2)637-5115 Fax. 66-(2)637-5116



NIPPON THOMPSON CO., LTD.

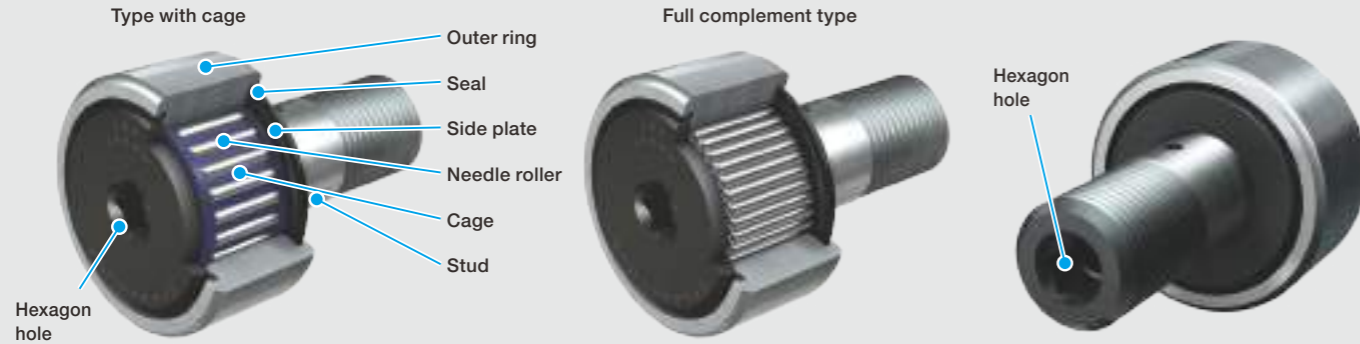


<http://www.ikont.co.jp/eg/>

●The external appearance / specifications of this product can be modified for improvements without notices.
●When this product is to be exported, confirm the destination country, uses and consumers and take the necessary steps such as export permit applications if such objective requirements should apply.
●Although this catalog has been made to ensure the accuracy by our best effort, we shall not be responsible for any damage caused by such reasons as clerical errors and omitted letters.
●All rights reserved. Unauthorized copying prohibited.

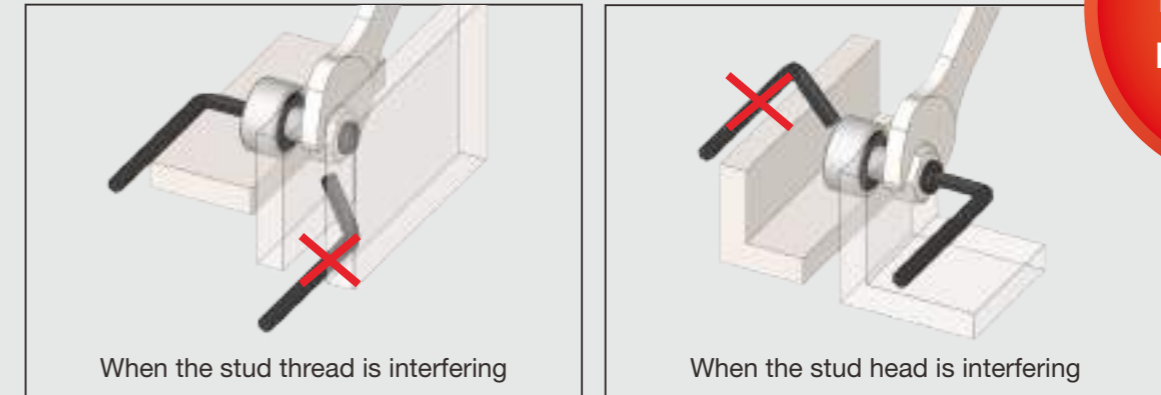
Structure of CFKR

Cam Followers are bearings with a stud incorporating needle rollers in a thick walled outer ring. These bearings are designed for outer ring rotation with superior rotational performance, a small coefficient of friction and high load capacity. Double Hex Hole Cam Followers have a structure with hexagon holes at each end of the stud, allowing for use in any mounting location.



Features

With hexagon hole on both stud ends
The sockets with hexagon hole on both stud ends allow mounting with a hexagon wrench from either side.

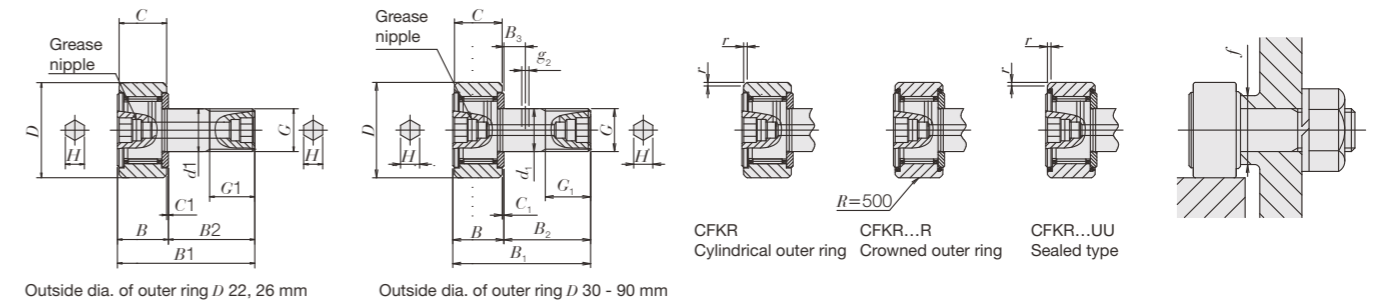


Example of Identification Number



1 Model		4 Seal structure	
CFKR	Double Hex Hole Cam Followers	No symbol	Shield type
2 Dimensions		UU	Sealed type
Shows the outer ring outside diameter. (unit: mm)		5 Shape of outer ring outside surface	
No symbol	With cage	No symbol	Cylindrical outer ring
V	Full complement	R	Crowned outer ring

Dimensions



Identification number	Mass (Ref.)	Boundary dimensions mm														Mounting dimension f Min. mm	Maximum tightening torque N·m	Basic dynamic load rating C N	Basic static load rating Co N	Maximum allowable static load N
		D	C	d ₁	G	G ₁	B _{max}	B _{1max}	B ₂	B ₃	C ₁	g ₂	H	r _{smin} (°)						
CFKR22R	43	22	12	10	M10X1.0	12	13.2	36.2	23	-	0.6	-	5	0.3	16	13.0	5 430	6 890	6 890	
CFKR26R	58	26	14	12	M12X1.5	13	15.2	40.2	25	6	0.6	3	6	0.6	21	21.9	7 910	9 790	9 790	
CFKR30R	94	30	16	14	M16X1.5	17	19.6	52.1	32.5	8	0.8	3	8	0.6	26	58.5	12 000	18 300	18 300	
CFKR32R	104	32	18	16	M18X1.5	19	21.6	58.1	36.5	8	0.8	3	8	1	29	86.2	14 800	25 200	25 200	
CFKR35R	165	35	18	16	M16X1.5	17	19.6	52.1	32.5	8	0.8	3	8	0.6	26	58.5	12 000	18 300	18 300	
CFKR40R	248	40	20	18	M18X1.5	19	21.6	58.1	36.5	8	0.8	3	8	1	29	86.2	14 800	25 200	25 200	
CFKR47R	378	47	24	20	M20X1.5	21	25.6	66.1	40.5	9	0.8	4	10	1	34	119	20 700	34 600	34 600	
CFKR52R	453	52	24	20	M20X1.5	21	25.6	66.1	40.5	9	0.8	4	10	1	34	119	20 700	34 600	34 600	
CFKR62R	795	62	29	24	M24X1.5	25	30.6	80.1	49.5	11	0.8	4	14	1	40	215	30 500	52 600	52 000	
CFKR72R	1 120	72	35	30	M30X1.5	32	37	100	63	15	1	4	14	1	49	438	45 400	85 100	85 100	
CFKR80R	1 860	80	35	30	M30X1.5	32	37	100	63	15	1	4	14	1	49	438	45 400	85 100	85 100	
CFKR85R	2 020	85	35	30	M30X1.5	32	37	100	63	15	1	4	14	1	49	438	45 400	85 100	85 100	
CFKR90R	2 210	90	35	30	M30X1.5	32	37	100	63	15	1	4	14	1	49	438	45 400	85 100	85 100	

Variations of CFKR

Model of bearing	Roller guide method	Shape of outer ring outside surface	Seal structure	Identification number	Size (outside dia. of outer ring)															
					22	26	30	32	35	40	47	52	62	72	80	85	90			
Double Hex Hole Cam Followers	With cage	Crowned outer ring	Shield type	CFKR...R	○	○	○	○	○	○	○	○	○	○	○	○	○	○	○	
			Sealed type	CFKR...UUR	○	○	○	○	○	○	○	○	○	○	○	○	○	○	○	○
		Cylindrical outer ring	Shield type	CFKR	○	○	○	○	○	○	○	○	○	○	○	○	○	○	○	○
			Sealed type	CFKR...UU	○	○	○	○	○	○	○	○	○	○	○	○	○	○	○	○
	Full complement	Crowned outer ring	Shield type	CFKR...VR	○	○	○	○	○	○	○	○	○	○	○	○	○	○	○	○
			Sealed type	CFKR...VUUR	○	○	○	○	○	○	○	○	○	○	○	○	○	○	○	○
Cylindrical outer ring	Sealed type	Shield type	CFKR...V	○	○	○	○	○	○	○	○	○	○	○	○	○	○	○	○	
		Sealed type	CFKR...VUU	○	○	○	○	○	○	○	○	○	○	○	○	○	○	○	○	

Identification number	Mass (Ref.)	Boundary dimensions mm														Mounting dimension f Min. mm	Maximum tightening torque N·m	Basic dynamic load rating C N	Basic static load rating Co N	Maximum allowable static load N
		D	C	d ₁	G	G ₁	B _{max}	B _{1max}	B ₂	B ₃	C ₁	g ₂	H	r _{smin} (°)						
CFKR22VR	44	22	12	10	M10X1.0	12	13.2	36.2	23	-	0.6	-	5	0.3	16	13.0	9 570	14 500	7 920	
CFKR26VR	59	26	14	12	M12X1.5	13	15.2	40.2	25	6	0.6	3	6	0.6	21	21.9	13 500	19 700	13 200	
CFKR30VR	96	30	16	14	M16X1.5	17	19.6	52.1	32.5	8	0.8	3	8	0.6	26	58.5	20 700	37 600	23 200	
CFKR32VR	106	32	18	16	M18X1.5	19	21.6	58.1	36.5	8	0.8	3	8	1	29	86.2	25 300	51 300	31 100	
CFKR35VR	168	35	18	16	M16X1.5	17	19.6	52.1	32.5	8	0.8	3	8	0.6	26	58.5	20 700	37 600	23 200	
CFKR40VR	253	40	20	18	M18X1.5	19	21.6	58.1	36.5	8	0.8	3	8	1	29	86.2	25 300	51 300	31 100	
CFKR47VR	383	47	24	20	M20X1.5	21	25.6	66.1	40.5	9	0.8	4	10	1	34	119	33 200	64 500	37 500	
CFKR52VR	458	52	24	20	M20X1.5	21	25.6	66.1	40.5	9	0.8	4	10	1	34	119	33 200	64 500	37 500	
CFKR62VR	800	62	29	24	M24X1.5	25	30.6	80.1	49.5	11	0.8	4	14	1	40	215	46 600	92 000	52 000	
CFKR72VR	1 120	72	35	30	M30X1.5	32	37	100	63	15	1	4	14	1	49	438	67 700	144 000	85 900	
CFKR80VR	1 860	80	35	30	M30X1.5	32	37	100	63	15	1	4	14	1	49	438	67 700	144 000	85 900	
CFKR85VR	2 020	85	35	30	M30X1.5	32	37	100	63	15	1	4	14	1	49	438	67 700	144 000	85 900	
CFKR90VR	2 210	90	35	30	M30X1.5	32	37	100	63	15	1	4	14	1	49	438	67 700	144 000	85 900	