

SLIDE RAIL CATALOG

NIPPON THOMPSON CO., LTD. (JAPAN)

Head office : 19-13 Takanawa 2-chome Minato-ku
Tokyo 108-8586, Japan
Phone : +81 (0)3-3448-5850
Fax : +81 (0)3-3447-7637
E-mail : ntt@ikonet.co.jp
URL : http://www.ikont.co.jp/eg
Plant : Gifu, Kamakura

IKO INTERNATIONAL, INC. (U.S.A.)

East Coast Operation (Sales Head Office)
91 Walsh Drive
Parsippany, NJ 07054
U.S.A.

Phone : +1 973-402-0254
Toll Free : 1-800-922-0337
Fax : +1 973-402-0441
E-mail : eco@ikonet.co.jp

Midwest Operation
500 East Thorndale Avenue, Suite K
Wood Dale, IL 60191
U.S.A.

Phone : +1 630-766-6464
Toll Free : 1-800-323-6694
Fax : +1 630-766-6869
E-mail : mwo@ikonet.co.jp

West Coast Operation

9830 Norwalk Boulevard, Suite 198
Santa Fe Springs, CA 90670
U.S.A.

Phone : +1 310-609-3988
Toll Free : 1-800-252-3665
Fax : +1 310-609-3916
E-mail : wco@ikonet.co.jp

Silicon Valley Sales Office

1500 Wyatt Drive, Suite 10
Santa Clara, CA 95054
U.S.A.

Phone : +1 408-492-0240
Toll Free : 1-800-252-3665
Fax : +1 408-492-0245
E-mail : wco@ikonet.co.jp

Southeast Operation

2150 Boggs Road, Suite 100
Duluth, GA 30096
U.S.A.

Phone : +1 770-418-1904
Toll Free : 1-800-874-6445
Fax : +1 770-418-9403
E-mail : seo@ikonet.co.jp

Southwest Operation

8105 N. Beltline Road, Suite 130
Irving, TX 75063
U.S.A.

Phone : +1 972-929-1515
Toll Free : 1-800-295-7886
Fax : +1 972-915-0060
E-mail : swo@ikonet.co.jp

IKO THOMPSON ASIA CO., LTD. (THAILAND)

1-7 Zuellig House, 3rd Floor
Silom Road, Silom, Bangrak
Bangkok 10500, Thailand
Phone : +66 (0)2-637-5115
FAX : +66 (0)2-637-5116
E-mail : ita@ikonet.co.jp

NIPPON THOMPSON EUROPE B.V. (EUROPE)

The Netherlands Sales Head Office

Sheffieldstraat 35-39
3047 AN Rotterdam
The Netherlands

Phone : +31 (0)10-462 68 68
Fax : +31 (0)10-462 60 99
E-mail : nte@ikonet.co.jp

Germany Branch

Mündelheimer Weg 56
40472 Düsseldorf
Germany

Phone : +49 (0)211-41 40 61
Fax : +49 (0)211-42 76 93
E-mail : ntd@ikonet.co.jp

Regensburg Sales Office

Im Gewerbepark D 30
93059 Regensburg
Germany

Phone : +49 (0) 941-20 60 70
Fax : +49 (0)941-20 60 719
E-mail : ntdr@iko-nt.de

Neunkirchen Sales Office

Gruben Str.95c
66540 Neunkirchen
Germany

Phone : +49 (0)6821-99 98 60
Fax : +49 (0)6821-99 98 626
E-mail : ntdn@iko-nt.de

U.K. Branch

2 Vincent Avenue, Crownhill
Milton Keynes, Bucks, MK8 0AB
United Kingdom

Phone : +44 (0)1908-566144
Fax : +44 (0)1908-565458
E-mail : sales@iko.co.uk

Spain Branch

Autovia Madrid-Barcelona, Km. 43,700
Polig. Ind. AIDA - Nove A-8, Ofic. 2-1^a
19200 Azuqueca de Henares
(Guadalajara) Spain

Phone : +34 949-26 33 90
Fax : +34 949-26 31 13
E-mail : nts@ikonet.co.jp

France Branch

Roissypole Le Dôme
2 rue de La Haye
BP 15950 Tremblay en France
95733 Roissy C. D. G. Cedex
France

Phone : +33 (0)1-48 16 57 39
Fax : +33 (0)1-48 16 57 46
E-mail : contact@iko-france.com



See you again at **IKO Website**
<http://www.ikont.co.jp/eg/>

Recognizing that conservation of the global environment is the top-priority challenge for the world's population, Nippon Thompson will conduct its activities with consideration of the environment as a corporate social responsibility, reduce its negative impact on the environment, and help foster a rich global environment.

ISO 9001 & 14001 Quality system
registration certificate

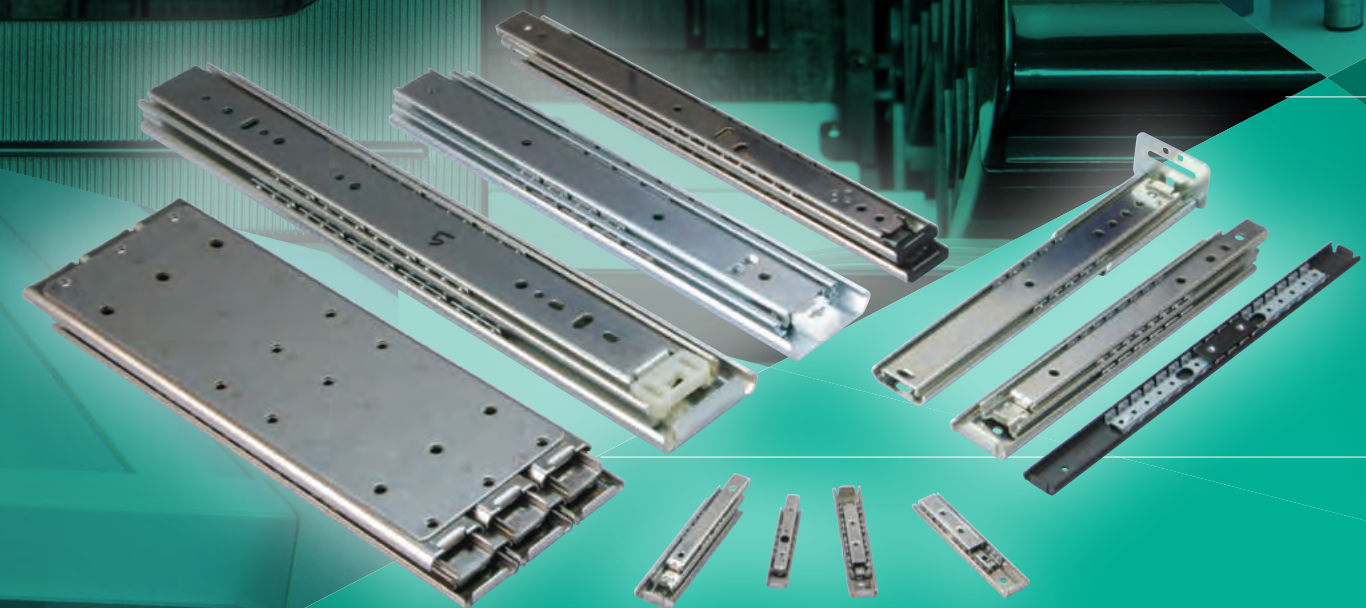


- The specifications and dimensions of products in this catalog are subject to change without prior notice.
- When these products are exported, the exporter should confirm a forwarding country and a use, and, in case of falling under the customer's requirements, take necessary procedures such as export permission application.
- Although all data in this catalog has been carefully compiled to make the information as complete as possible, NIPPON THOMPSON CO., LTD. shall not be liable for any damages whatsoever, direct or indirect, based upon any information in this catalog. NIPPON THOMPSON CO., LTD. makes no warranty, either express or implied, including the implied warranty of merchantability or fitness for a particular purpose.
- Reproduction and conversion without permission are prohibited.



Rely on slide rails for smooth, high-accuracy motion covering a wide range of market needs.

Our broad lineup makes the products you need available. With manufacturing technologies based on years of experience, we continue to respond to market demands including everything from railcar doors to household system kitchens. Our plentiful experience of manufacturing will solve your problems for you.



What are "slide rails"?

"Slide rails" are linear mechanism parts which "move heavy objects with minimal force." As mechanical parts, they may not be a familiar sight in your daily life, but they are commonly used in the products around you. Think of them as an invisible hand. Ball bearings are used in all products, enabling especially high accuracy and smooth motion. As well, in order to respond broadly to market needs, our die technologies include both press forming and roll forming, allowing us to use the optimal form of manufacturing for each product.

Features of "IKO slide rails"

- Diverse steel and stainless steel product lineup, from miniature to high-load
- Consistent in-house manufacturing from die on up. Rapid response from design through prototypes to mass production.
- Two production hubs, in Japan and Indonesia, enable appropriate pricing and stable supply.

Stronger

Smaller

Cheaper

Speedier

SLIDE RAIL CATALOG

[RoHS compliant]

All products in our catalog comply with RoHS.

[Heat resistance]

Standard specifications posit use at room temperature ranges. We also offer special-order products which can be used outside room temperature ranges as well.

[Safety]

The rail will not break even if a static load twice the load capacity is temporarily applied to the slide rail load position. The unit design features protection from unexpected loads.

[Shock resistance]

The slide rail stoppers are constructed for the stop function in normal use. They are not intended for violent shocks or excessively repeated impacts. Depending on the model, special-order products are available for increased shock resistance.

With technologies and production/quality control we enjoy positive evaluations from customers in

systems based on years of experience, various fields.

Delivery of reliable, diverse products to various industries and enterprises.

Miniature Type

[Compact printers]
Receipt supply, etc.

Light duty Type

[Compact industrial devices]
ATM receipt interiors,
printer interiors
for convenience stores
[Commercial coffee makers]

Medium duty Type

[Office cabinets]
[Copiers]
For internal unit
maintenance

Heavy duty Type

[Special vehicles]
[ATMs]
[Semiconductor facilities]
[Large copiers]
[Safes]

Stainless Steel Type

[Medical instruments]
Blood banks
[Food machinery]
Showcases, etc.
[Kitchen equipment]



Delivery record

IKO slide rails show their strength in a myriad of contexts.

We carry out "stress tests" to guarantee our reliability

Our products undergo stress tests according to their purposes during product development.

Running tests (10,000 times or more)

Shock resistance tests (at client request)

Destructive tests

Function check

Safety check

We provide products which meet these requirements.



Stress Test

Order made

We offer as order-made products slide rails manufactured in accordance with customer requests, modifying standard products which do not match customer devices by changing slide length, travel, or mounting hole position or adding special mechanisms, etc.

Hole position

Rail length

Special mechanism

Please contact our sales staff with requests.

SLIDE RAIL CATALOG

Lineup configuration of slide rails



	Miniature type				Light duty type						Medium duty type						Heavy duty type					
Rail height (mm)	107.5																					
	94.0																					
	81.0																					
	71.4																					
	63.0																					
	54.8																					
	46.0																					
	35.3																					
	27.0																					
	20.0																					
14.0																						
10.6																						
Page	P 7 P 8	P 9	P 10 P 11	P 12	P 13	P 14	P 15 P 17	P 18	P 19 P 20	P 21 P 22		P 23	P 24 P 27	P 28 P 30	P 31	P 32	P 33	P 34	P 35	P 36	P 37	
Rail size (mm)	106x 50	106x 100	14x 64	14x 128	183x 75	197x 102	20x 80	20x 160	27x 95	27x 190		27x 190	353x 130	353x 96	353x 192	353x 192	71.4x 238	107.5x 238	63x 160	69.8x 198	94x 180	
Load capacity (N/set)	49	49	98	98	59	98	147 to 196	98 to 147	235 to 275	275 to 363		275 to 363	294 to 343	284 to 441	402 to 471	402 to 471	1030 to 1098	1657 to 1746	785 to 1324	1765 on		
Model	U1011 U1021	U1031	U1411 U1421	U1431	UC180	UC200T	2011 2020 2021	2031	2721 U2721 U2725	2731M U2731		2736 U2736	C350 C351 C352 C357	3511 U11 3521 U21 3521HD U23	3531 U31	3535 U35 3535 HDS	3551 U51	3553 U53	C630	C690	6315	

Slide rail load capacity

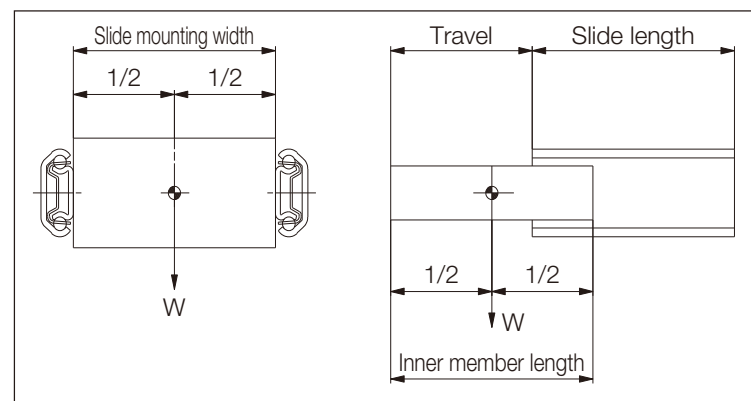
Load capacity and life cycle are intimately related. As well, lifetime is also significantly affected by the center of gravity of the mounted unit and the strength of the cabinet.

Our slide rails' load capacity are based on a **10,000 cycle** dynamic test.

This test is based on the center of gravity of the load being the mid-point of the inner member length and in the middle of the drawer (drawer width is basically 400mm).

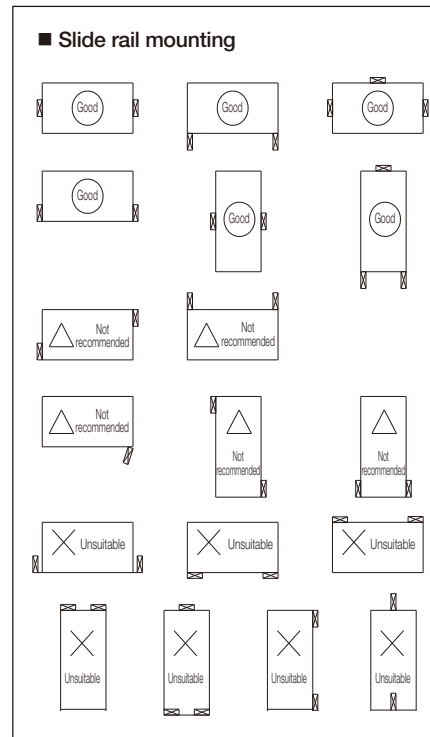
Be careful, as the definition of load capacity also varies among manufacturers.

If anything is unclear, please contact our Technology Services Group.



Icon explanation

- SUS** Mainly stainless steel products. (However, some parts may not be stainless steel.)
- L=R** Left/right common products.
- Load capacity** Slide rail load capacity. See pages 5-6 for the definition of load capacity.
- T<L** Products whose travel amount is shorter than their rail length.
- SPCC** Products whose main components are SPCC (cold-rolled steel plates) with electrogalvanizing (trivalent bright chromate plating).
- L≠R** Left/right non-common products.
- RoHS compliant** Products compliant with the RoHS Directive.
- NEW** Recently released products.
- T≥L** Products whose travel amount is longer than their rail length.
- Custom order** Products not usually in stock but available as custom orders.
- Under development** Coming soon.



Slide rail allowable load

Slide rail performance varies significantly according to unit dimensions and rigidity, center of gravity, frequency of usage, speed, installation location, and mounting method. Therefore, we recommend carrying out mounted tests with actual equipment before mass production.

Cautions for slide rail mounting

Consult the figure at left for mounting methods. Observe the following precautions when mounting slide rails.

- Mount slide rails in parallel.
- Apply an even load to slide rails.
- Do not overload in the direction in which the slide rail is drawn out.
- Do not overload in the direction in which the slide rail is pushed in.

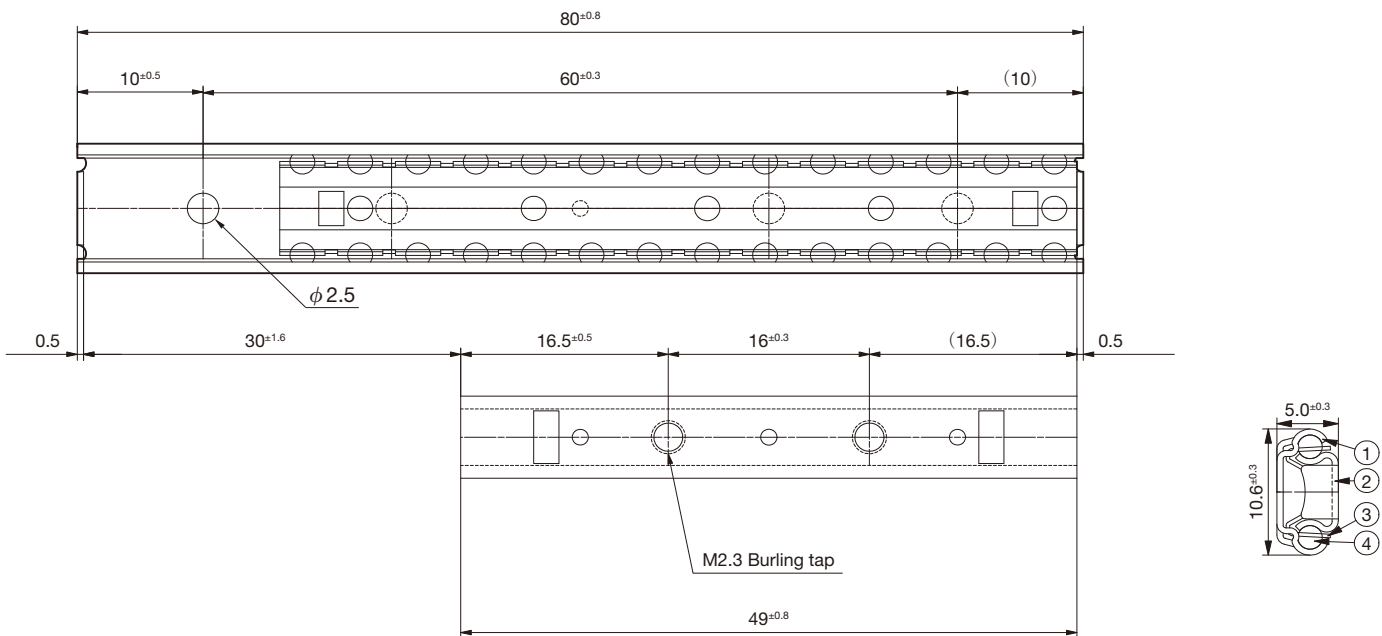
In addition, temporarily fasten the mounting screws when mounting and move the slide rails several times, performing final tightening of the screws where the movement is easy. Further, with three-member slide rails etc., use the inner member side as the unit (drawer) side (excluding C358). When using horizontal mounting, the allowable load is some 1/4 to 1/5 of that of the recommended mounting method. Further, depending on the mounting (load position etc.), each member and stopper/tab area may interfere with screw heads or other parts.



- <Features>**
- World smallest class slide rail, the result of press forming. (as of our research in September 2014)
 - Linear motion type: Inner member moves linearly within outer member.

- <Recommended screws>**
- M2.3 pan head screws or cross-recessed pan head screws for precision equipment
- [Caution]
Inner member mounting screw length must be within mounting material thickness + 1.8 mm. (Long screws will contact the ball retainer and impede rail operation or cause damage.)

- <Grease>**
- Nichimoly G-03031X



Part number	Slide length (mm)	Travel (mm)	Mounting hole (mm) ± 0.3 mm				Product weight (g/piece)	Quantity in package (pieces)
			A	B	C	D		
80	80.0	30.0	15.0	45.0	60.0	-	9	40
-	-	-	-	-	-	-	-	-
-	-	-	-	-	-	-	-	-

Number	Part name	Material	Remark
①	Outer member	SUS304	t: 0.5
②	Inner member	SUS304	t: 0.5
③	Ball retainer	SUS304	t: 0.3
④	Ball	SUJ-2	5/64"

* For special sizes, contact our sales staff.
* Changes may be made without notice for improved quality, environment, and safety, without affecting function or mounting.

(*1) Balls are SUJ-2.

ORDER OK! For requests concerning special sizes or specification changes etc., contact our sales staff.

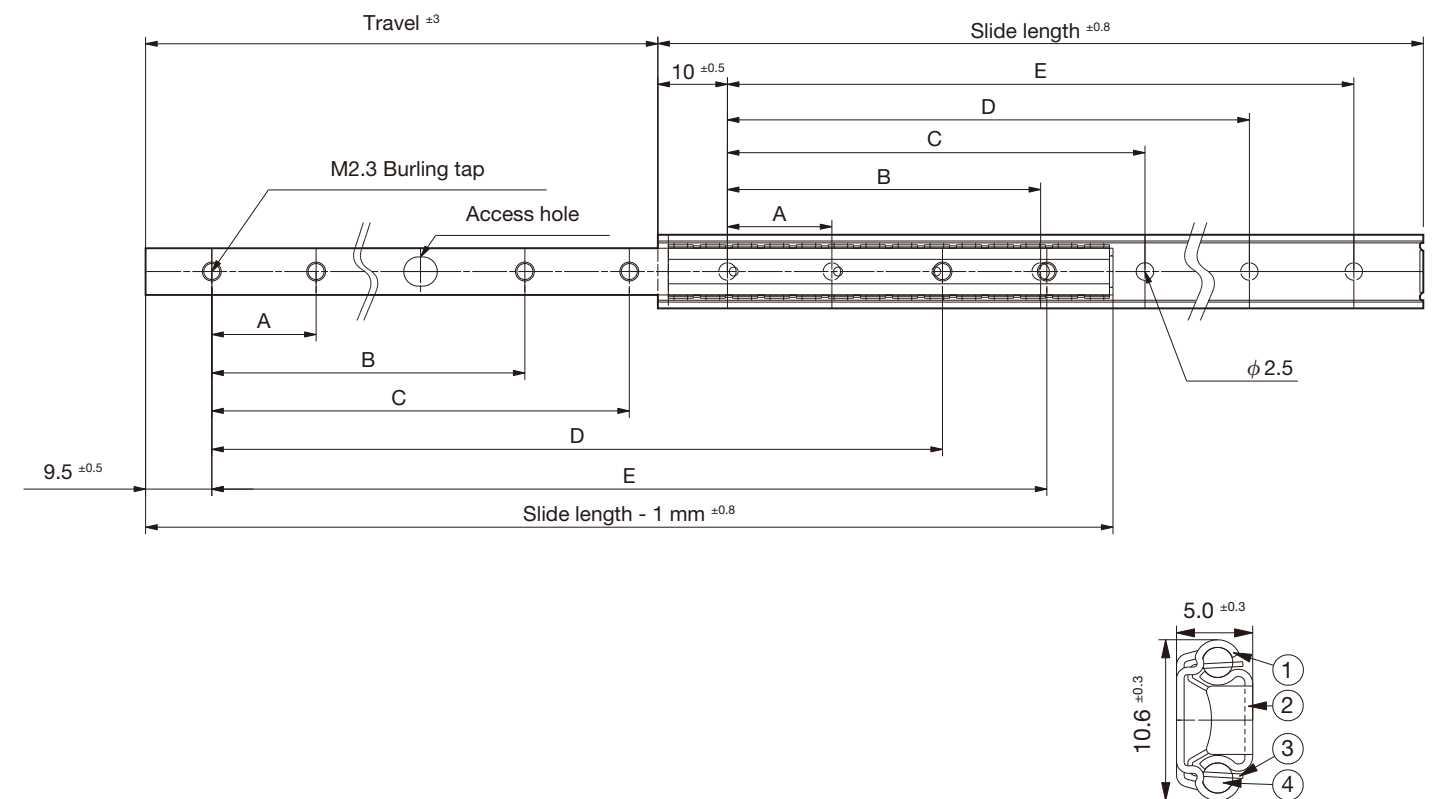
Product number (product name) composition	Model name	Part number
U1011 - 80		



- <Features>**
- World smallest class slide rail, the result of press forming. (as of our research in September 2014)

- <Recommended screws>**
- M2.3 pan head screws or cross-recessed pan head screws for precision equipment
- [Caution]
Inner member mounting screw length must be within mounting material thickness + 1.8 mm. (Long screws will contact the ball retainer and impede rail operation or cause damage.)

- <Grease>**
- Nichimoly G-03031X



Part number	Slide length (mm)	Travel (mm)	Mounting hole (mm) ± 0.3 mm					Load capacity (N/pair)	Product weight (g/piece)	Quantity in package (pieces)
			A	B	C	D	E			
50	50.0	25.0	30.0	-	-	-	-	49	7	40
95	95.0	56.2	15.0	60.0	75.0	-	-	49	12	40
155	155.0	116.2	15.0	60.0	120.0	135.0	-	49	19	40
215	215.0	162.4	15.0	75.0	120.0	180.0	195.0	49	26	40

Number	Part name	Material	Remark
①	Outer member	SUS304	t: 0.5
②	Inner member	SUS304	t: 0.5
③	Ball retainer	SUS304	t: 0.3
④	Ball	SUJ-2	5/64"

* For special sizes, contact our sales staff.
* Changes may be made without notice for improved quality, environment, and safety, without affecting function or mounting.

(*1) Balls are SUJ-2.

ORDER OK! For requests concerning special sizes or specification changes etc., contact our sales staff.

Product number (product name) composition	Model name	Part number
U1021 - 50		



NEW

<Features>

- World smallest class slide rail, made with press forming. (as of our research in September 2014)

<Recommended screws>

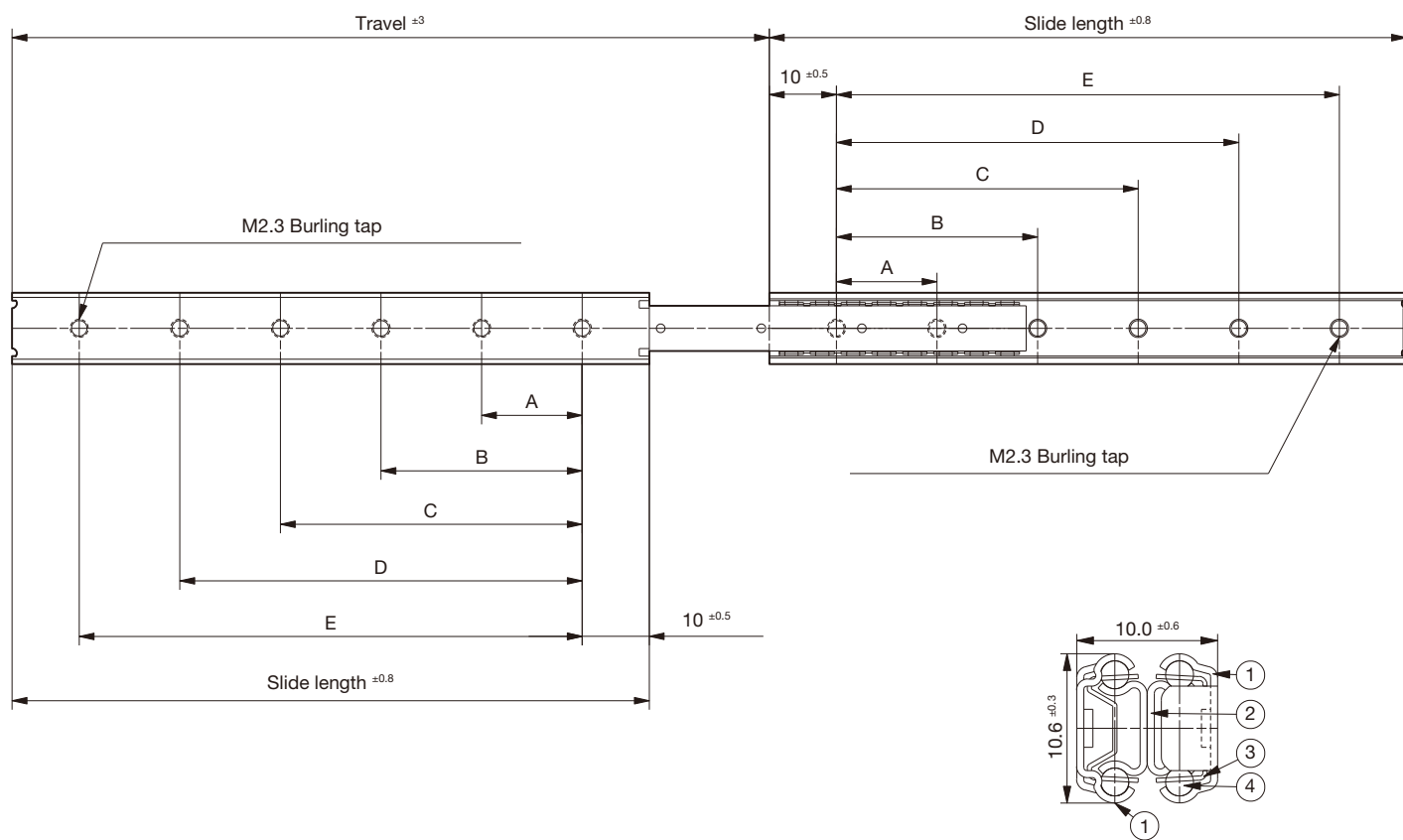
- M2.3 pan head screws or cross-recessed pan head screws for precision equipment

[Caution]

Inner member mounting screw length must be within mounting material thickness + 1.8 mm. (Long screws will contact the ball retainer and impede rail operation or cause damage.)

<Grease>

- Nichimoly G-03031X



Part number	Slide length (mm)	Travel (mm)	Mounting hole (mm) ± 0.3 mm					Load capacity (N/pair)	Product weight (g/piece)	Quantity in package (pieces)
			A	B	C	D	E			
50	50.0	50.5	30.0	-	-	-	-	49	13	20
95	95.0	112.9	15.0	60.0	75.0	-	-	49	24	20
155	155.0	177.7	15.0	60.0	120.0	135.0	-	49	40	20
215	215.0	242.5	15.0	75.0	120.0	180.0	195.0	49	55	20

* For special sizes, contact our sales staff.

* Changes may be made without notice for improved quality, environment, and safety, without affecting function or mounting.

(*1) Balls are SUJ-2.

ORDER OK! For requests concerning special sizes or specification changes etc., contact our sales staff.

Product number (product name) composition	Model name	Part number
	U1031	- 50



<Features>

- 14-mm width compact slide rail.
- Series cumulative sales of over 2.7 million. (as of our research in August 2014)
- Linear motion type: Inner member moves linearly within outer member.

<Recommended screws>

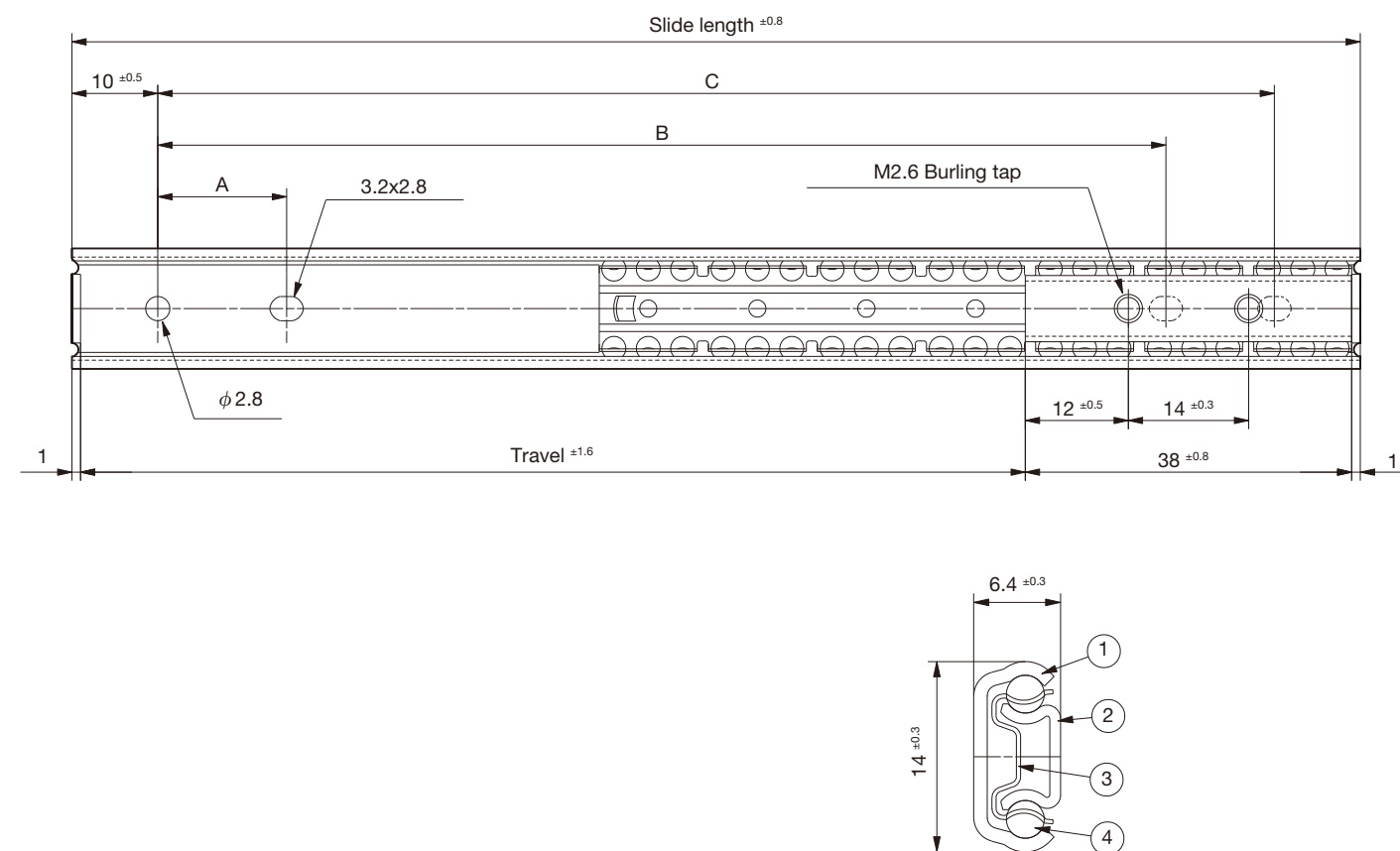
- M2.6 Cross-recessed pan head screw for precision equipment

[Caution]

Inner member mounting screw length must be within mounting material thickness + 2.0 mm. (Long screws will contact the ball retainer and impede rail operation or cause damage.)
General pan head screws may contact the ball retainer and impede rail operation or cause damage.

<Grease>

- Nichimoly G-03031X



Part number	Slide length (mm)	Travel (mm)	Mounting hole (mm) ± 0.3 mm			Product weight (g/piece)	Quantity in package (pieces)
			A	B	C		
70A	70.0	30.0	-	-	50.0	20	480
100A	100.0	60.0	15.0	65.0	80.0	25	240
125A	125.0	85.0	15.0	90.0	105.0	30	240
150A	150.0	110.0	15.0	115.0	130.0	35	240

Number	Part name	Material	Remark
①	Outer member	SUS304	t: 1.0
②	Inner member	SUS304	t: 0.8
③	Ball retainer	SUS304	t: 0.3
④	Ball	SWCH	7/64"

* For special sizes, contact our sales staff.

* Changes may be made without notice for improved quality, environment, and safety, without affecting function or mounting.

(*1) Balls are SWCH.

ORDER OK! For requests concerning special sizes or specification changes etc., contact our sales staff.

Product number (product name) composition	Model name	Part number
	U1411	- 70A



<Features>

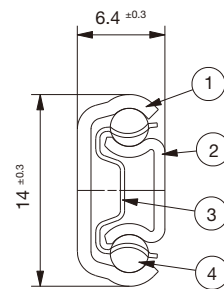
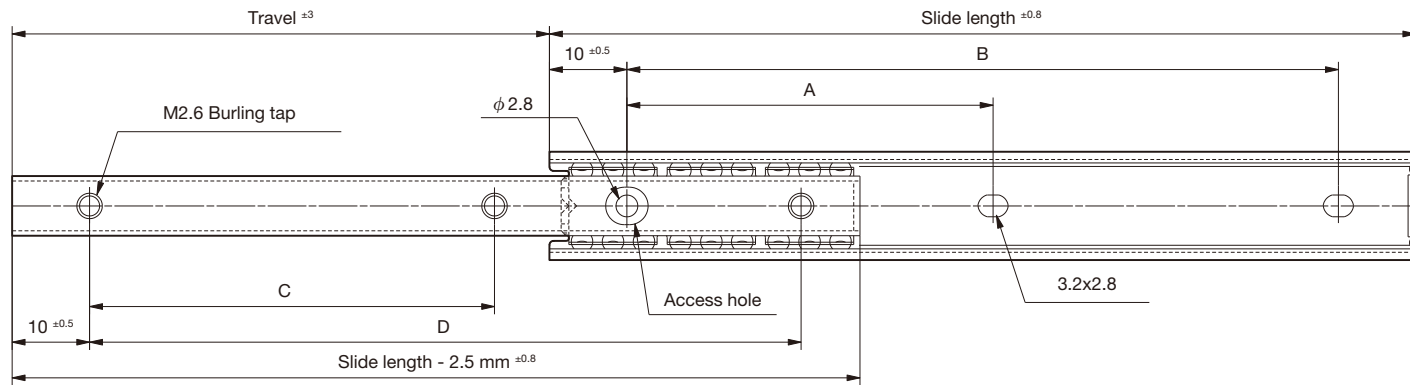
- 14-mm width compact slide rail.
- Series cumulative sales of over 2.7 million. (as of our research in September 2014)

<Recommended screws>

- M2.6 Cross-recessed pan head screw for precision equipment [Caution]
 - Inner member mounting screw length must be within mounting material thickness + 2.0 mm. (Long screws will contact the ball retainer and impede rail operation or cause damage.)
 - Ordinary pan head screws may contact the ball retainer and impede rail operation or cause damage.

<Grease>

- Nichimoly G-03031X



Part number	Slide length (mm)	Travel (mm)	Mounting hole (mm) ± 0.3 mm				Load capacity (N/pair)	Product weight (g/piece)	Quantity in package (pieces)
			A	B	C	D			
70B	70.0	40.0	-	50.0	-	50.0	98.0	20	480
100B	100.0	70.0	40.0	70.0	40.0	80.0	98.0	30	240
125B	125.0	82.0	50.0	95.0	50.0	105.0	98.0	35	240
150B	150.0	95.0	60.0	120.0	65.0	130.0	98.0	40	240

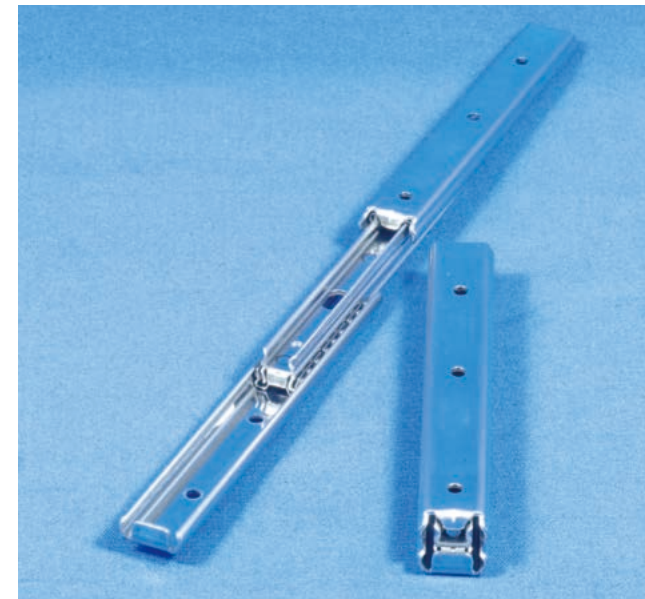
* For special sizes, contact our sales staff.

* Changes may be made without notice for improved quality, environment, and safety, without affecting function or mounting.

(*1) Balls are SWCH.

ORDER OK! For requests concerning special sizes or specification changes etc., contact our sales staff.

Product number (product name) composition	Model name	Part number
	U1421	- 70B



<Features>

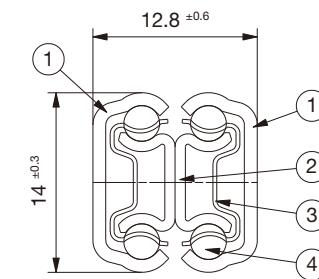
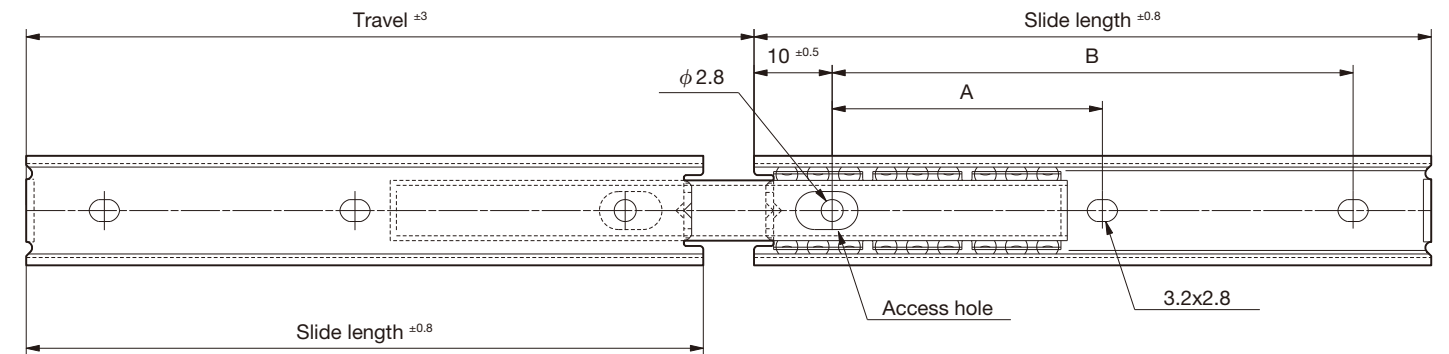
- 14-mm width compact slide rail.
- Series cumulative sales of over 2.7 million. (as of our research in August 2014)

<Recommended screws>

- M2.6 Cross-recessed pan head screw for precision equipment [Caution]
 - General pan head screws may contact the ball retainer and impede rail operation or cause damage.

<Grease>

- Nichimoly G-03031X



Part number	Slide length (mm)	Travel (mm)	Mounting hole (mm) ± 0.3 mm		Load capacity (N/pair)	Product weight (g/piece)	Quantity in package (pieces)
			A	B			
70A	70.0	82.7	-	50.0	98	40	240
100A	100.0	117.3	40.0	70.0	98	55	120
125A	125.0	141.9	50.0	95.0	98	70	120
150A	150.0	166.5	60.0	120.0	98	80	120

* For special sizes, contact our sales staff.

* Changes may be made without notice for improved quality, environment, and safety, without affecting function or mounting.

(*1) Balls are SWCH.

ORDER OK! For requests concerning special sizes or specification changes etc., contact our sales staff.

Product number (product name) composition	Model name	Part number
	U1431	- 70A



<Features>

- Rail thickness is just 7.5 mm. Compact overtravel type of slide rail with a focus on slimness.
- Both draw-out and closing have a cycle repair (ball creep repair) mechanism, reducing brake-stop (ball stop due to frictional resistance) at start of operation.
- Because both inner and outer members are tapped, screw processing for the rail mounting unit is not required. As well, mounting is possible using the rail hole and elongated hole.

<Recommended screws>

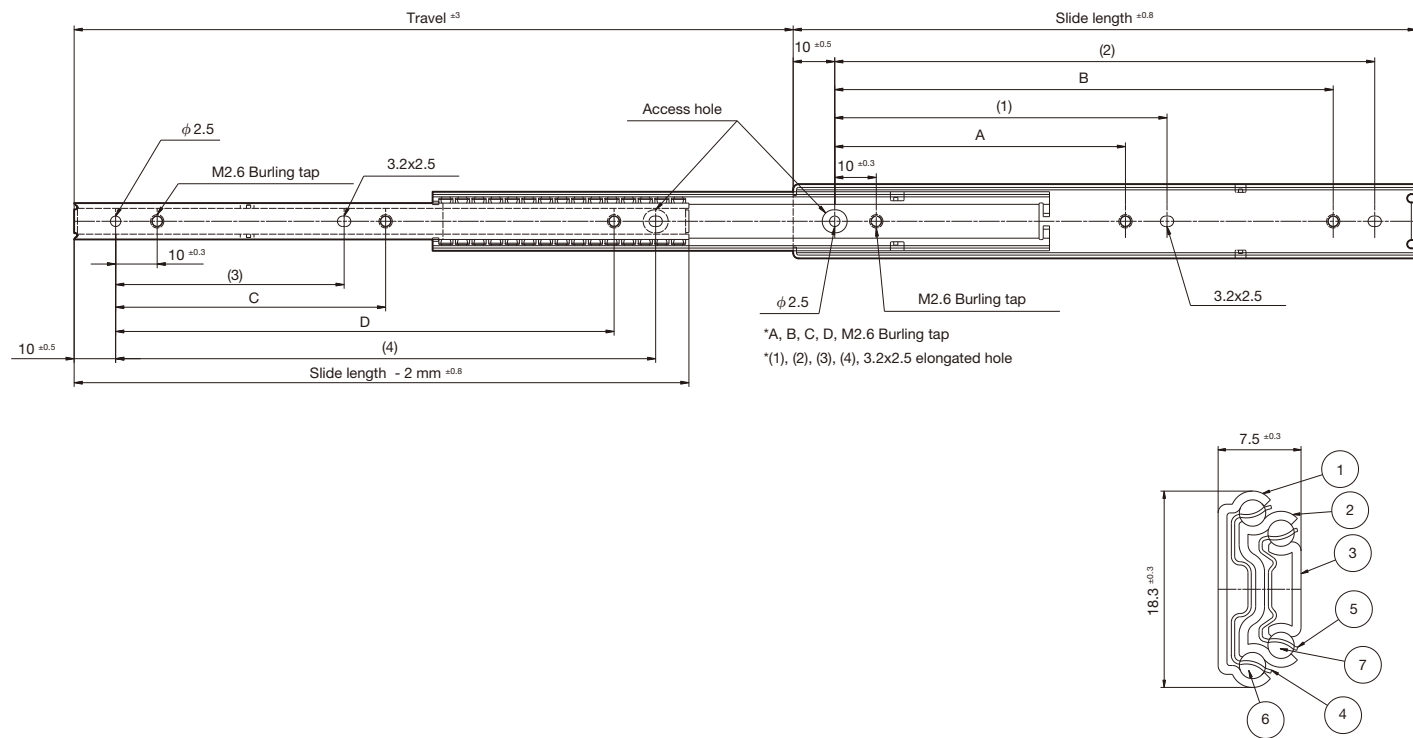
- M2.6 Cross-recessed pan head screw for precision equipment (tap)
- M2.3 Cross-recessed pan head screw for precision equipment (hole/elongated hole)

[Caution]

- Mounting screw length must be within mounting unit thickness + 1.0 mm. (Long screws will contact the ball retainer and impede rail operation or cause damage.)
- General pan head screws may contact the ball retainer and impede rail operation or cause damage.

<Grease>

- Nichimoly G-03031X



Part number	Slide length (mm)	Travel (mm)	Mounting hole (mm) ± 0.3 mm								Load capacity (N/pair)	Product weight (g/piece)	Quantity in package (pieces)
			A	(1)	B	(2)	(3)	C	D	(4)			
70	70.0	85.1	-	-	35.0	45.0	-	-	35.0	45.0	59	30	-
100	100.0	121.1	35.0	45.0	70.0	80.0	30.0	40.0	60.0	70.0	59	40	-
125	125.0	147.1	55.0	65.0	95.0	105.0	45.0	55.0	95.0	105.0	59	50	-
150	150.0	173.1	70.0	80.0	120.0	130.0	55.0	65.0	120.0	130.0	59	60	-

* For special sizes, contact our sales staff.

* Changes may be made without notice for improved quality, environment, and safety, without affecting function or mounting.

(*1) Balls are SWCH.

Number	Part name	Material	Remark
①	Outer member	SUS304	t: 0.8
②	Center member	SUS304	t: 0.8
③	Inner member	SUS304	t: 0.8
④	Ball retainer	SUS304	t: 0.3
⑤	Ball retainer	SUS304	t: 0.3
⑥	Ball	SWCH	3/32"
⑦	Ball	SWCH	3/32"

ORDER OK! For requests concerning special sizes or specification changes etc., contact our sales staff.

Product number (product name) composition	Model name	Part number
	UC180	- 70



<Features>

- 2000 Series compact overtravel type. Thickness is 10.2 mm.
- Series cumulative sales of over 1.5 million (as of our research in August 2014)

<Recommended screws>

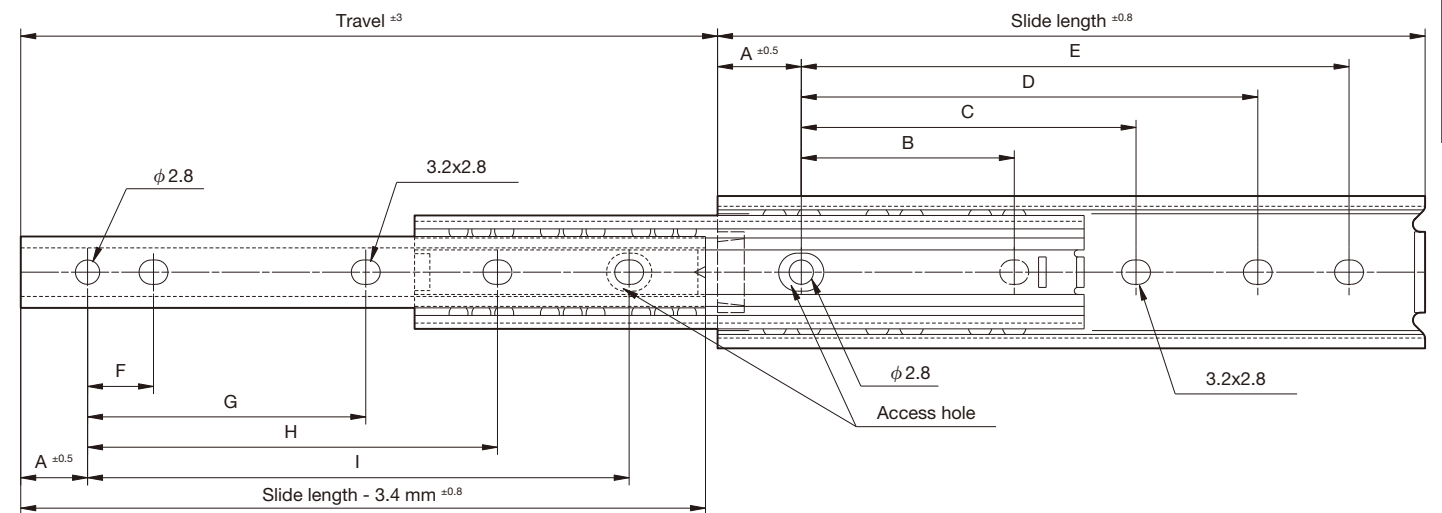
- M2.6 truss head screw

[Caution]

- Inner member mounting screw length must be within mounting material thickness + 2.0 mm. (Long screws will contact the ball retainer and impede rail operation or cause damage.)
- General pan head screws may contact the ball retainer and impede rail operation or cause damage.

<Grease>

- Nichimoly G-03031X



Part number	Slide length (mm)	Travel (mm)	Mounting hole (mm) ± 0.3 mm (B to I)									Load capacity (N/pair)	Product weight (g/piece)	Quantity in package (pieces)
			A	B	C	D	E	F	G	H	I			
70	70.0	81.0	10.0	-	-	-	50.0	-	-	-	50.0	98	40	228
100	100.0	116.0	10.0	-	-	40.0	80.0	-	40.0	-	80.0	98	60	114
125	125.0	140.0	20.0	-	-	40.0	80.0	-	40.0	-	80.0	98	75	114
150	150.0	165.0	20.0	-	-	50.0	110.0	-	50.0	-	110.0	98	90	114
200	200.0	214.0	20.0	-	100.0	145.0	160.0	15.0	60.0	-	160.0	98	120	57
250	250.0	263.0	20.0	50.0	145.0	195.0	210.0	15.0	60.0	160.0	210.0	98	150	57
300	300.0	312.0	20.0	100.0	160.0	245.0	260.0	15.0	100.0	160.0	260.0	98	180	57

* For special sizes, contact our sales staff.

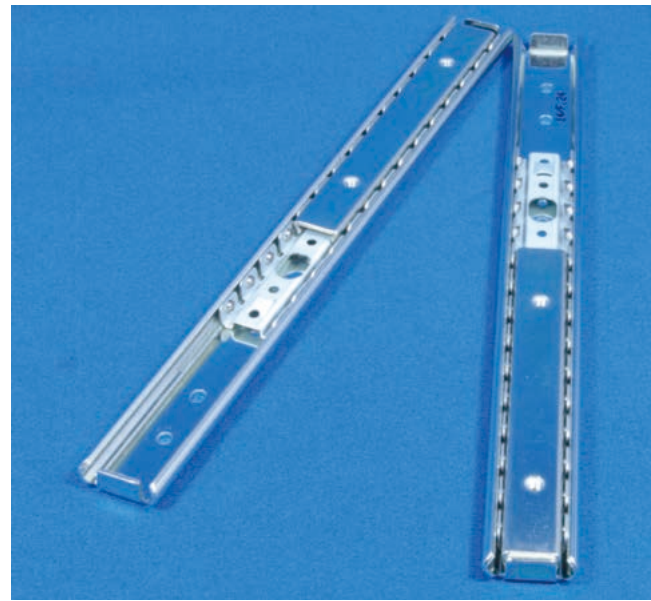
* Changes may be made without notice for improved quality, environment, and safety, without affecting function or mounting.

Number	Part name	Material	Remark
①	Outer member	SUS304	t: 1.2
②	Center member	SUS304	t: 1.0
③	Inner member	SUS304	t: 1.0
④	Ball retainer	SUS304	t: 0.3
⑤	Ball retainer	SUS304	t: 0.3
⑥	Ball	SWCH	1/8"
⑦	Ball	SWCH	2.5 mm

(*1) Balls are SWCH.

ORDER OK! For requests concerning special sizes or specification changes etc., contact our sales staff.

Product number (product name) composition	Model name	Part number
	UC200T	- 70



<Features>

- The 2000 Series features 20-mm width compact slide rails. Smallest cross section among SPCC rails.
- Linear motion type: Inner member moves linearly within outer member.

<Recommended screws>

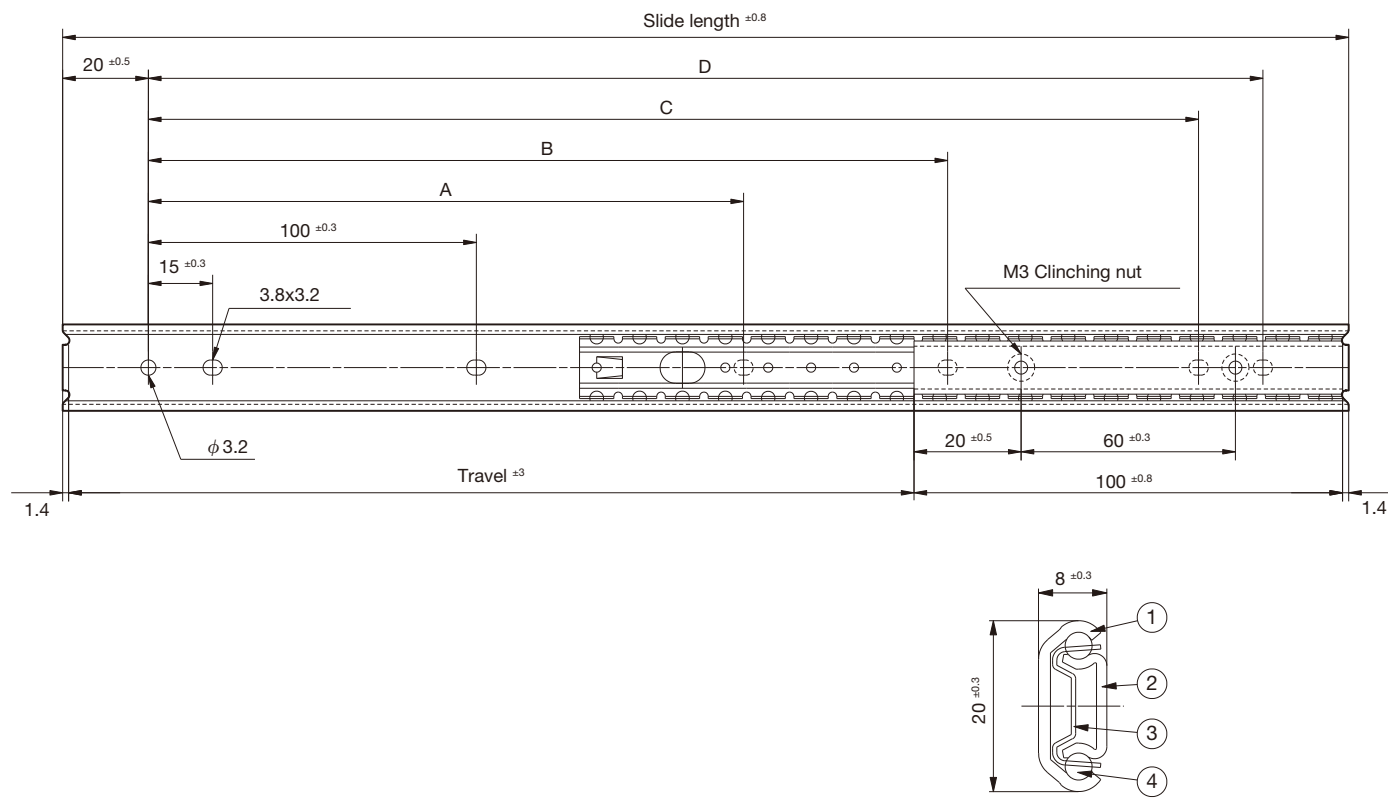
- M3 truss head screw or binding head screw
- [Caution]
- Inner member mounting screw length must be within mounting material thickness + 3.0 mm. (Long screws will contact the ball retainer and impede rail operation or cause damage.)

<Grease>

- JX Nippon Oil and Energy EPNOC Grease AP(N) 2

<Surface treatment>

- Part numbers (1) (2): Electrogalvanizing (trivalent bright chromate)



Part number	Slide length (mm)	Travel (mm)	Mounting hole (mm) ± 0.3 mm				Product weight (kg/piece)	Quantity in package (pieces)
			A	B	C	D		
200	200	97	-	-	145.0	160.0	0.10	72
250	250	147	-	-	195.0	210.0	0.12	72
300	300	197	-	160.0	245.0	260.0	0.13	72
350	350	247	-	210.0	295.0	310.0	0.15	72
400	400	297	-	260.0	345.0	360.0	0.17	72
450	450	347	205.0	310.0	395.0	410.0	0.19	72
500	500	397	230.0	360.0	445.0	460.0	0.20	72
550	550	447	255.0	410.0	495.0	510.0	0.22	72

* For special sizes, contact our sales staff.

* Changes may be made without notice for improved quality, environment, and safety, without affecting function or mounting.

ORDER OK! For requests concerning special sizes or specification changes etc., contact our sales staff.

Product number (product name) composition	Model name	Part number
	2011	- 200



<Features>

- The 2000 Series features 20-mm width compact slide rails. Smallest cross section among SPCC rails.
 - Travel is possible at both front and rear. (Two-way travel type)
 - Brake-stop type. With a sharp pull from the full-travel position, the inner member can be disconnected. (Stopper is not provided.)
- (* Do not insert the disconnected inner member into another rail. It may lead to poor operation.)

<Recommended screws>

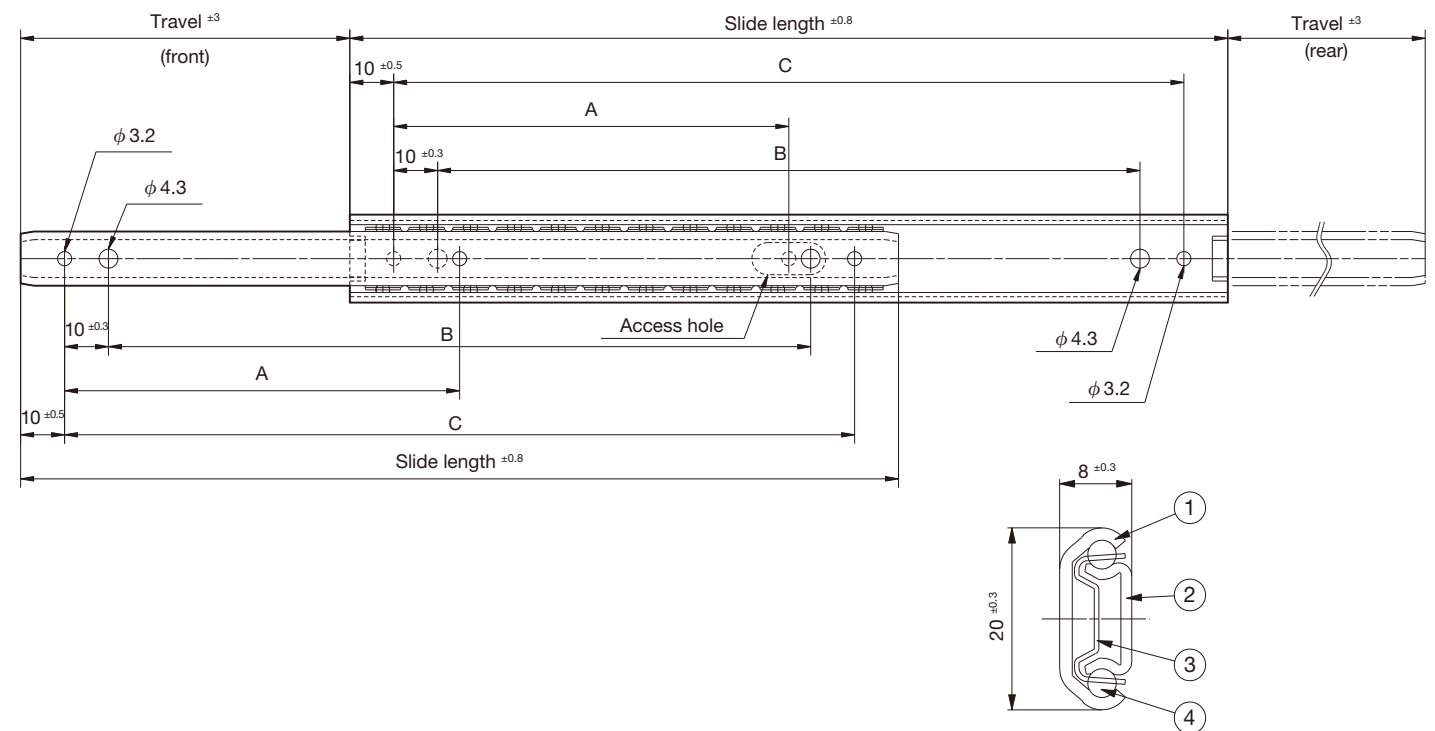
- M3 truss head screw or binding head screw

<Grease>

- JX Nippon Oil and Energy EPNOC Grease AP(N) 2

<Surface treatment>

- Part numbers (1) (2): Electrogalvanizing (trivalent bright chromate)



Part number	Slide length (mm)	Travel (mm)	Mounting hole (mm) ± 0.3 mm			Load capacity (N/pair)	Product weight (kg/piece)	Quantity in package (pieces)
			A	B	C			
70	70	15	-	30.0	50.0	196	0.04	216
100	100	25	-	60.0	80.0	196	0.06	216
150	150	45	-	110.0	130.0	196	0.08	144
200	200	75	90.0	160.0	180.0	196	0.11	72

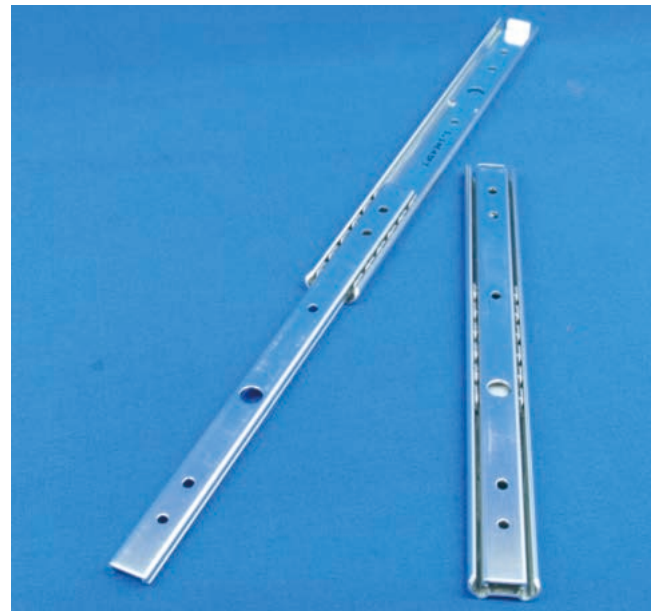
Number	Part name	Material	Remark
①	Outer member	SPCC	t: 1.4
②	Inner member	SPCC	t: 1.2
③	Ball retainer	SECC	t: 0.5
④	Ball	SWCH	1/8"

* For special sizes, contact our sales staff.

* Changes may be made without notice for improved quality, environment, and safety, without affecting function or mounting.

ORDER OK! For requests concerning special sizes or specification changes etc., contact our sales staff.

Product number (product name) composition	Model name	Part number
	2020	- 70



<Features>

- The 2000 Series features 20-mm width compact slide rails. Smallest cross section among SPCC rails.

<Recommended screws>

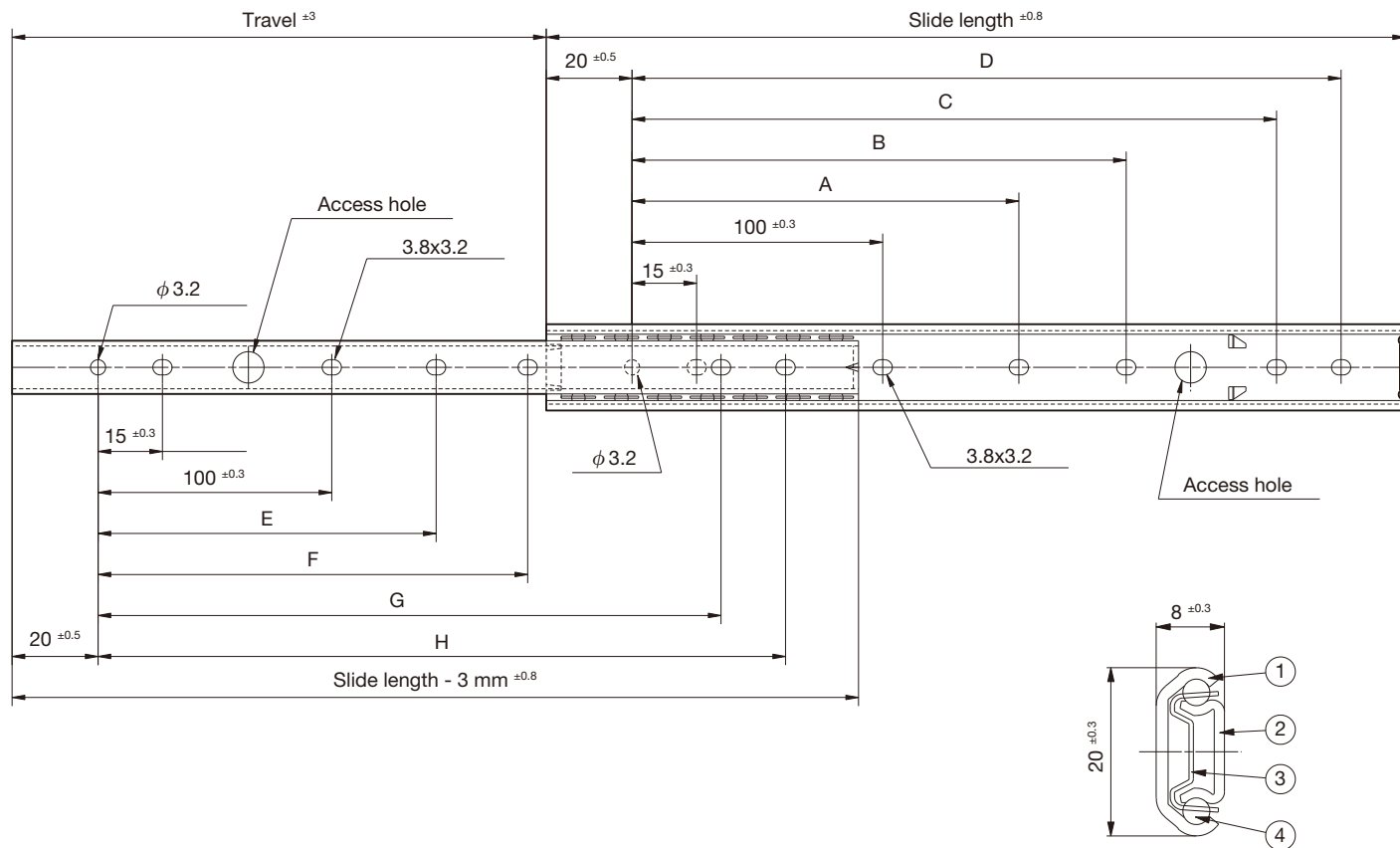
- M3 truss head screw or binding head screw

<Grease>

- JX Nippon Oil and Energy EPNOC Grease AP(N) 2

<Surface treatment>

- Part numbers (1) (2): Electrogalvanizing (trivalent bright chromate)



Part number	Slide length (mm)	Travel (mm)	Mounting hole (mm) ± 0.3 mm								Load capacity (N/pair)	Product weight (kg/piece)	Quantity in package (pieces)
			A	B	C	D	E	F	G	H			
200	200	134	-	-	145.0	160.0	-	-	145.0	160.0	147	0.10	72
250	250	184	-	-	195.0	210.0	-	150.0	195.0	210.0	147	0.13	72
300	300	224	-	160.0	245.0	260.0	-	190.0	245.0	260.0	147	0.15	72
350	350	254	-	210.0	295.0	310.0	-	225.0	295.0	310.0	147	0.18	72
400	400	294	-	260.0	345.0	360.0	-	265.0	345.0	360.0	147	0.20	72
450	450	334	205.0	310.0	395.0	410.0	-	300.0	395.0	410.0	147	0.23	72
500	500	384	230.0	360.0	445.0	460.0	-	337.0	445.0	460.0	147	0.26	72
550	550	414	255.0	410.0	495.0	510.0	265.0	377.0	495.0	510.0	147	0.28	72

* For special sizes, contact our sales staff.

* Changes may be made without notice for improved quality, environment, and safety, without affecting function or mounting.

ORDER OK! For requests concerning special sizes or specification changes etc., contact our sales staff.

Product number (product name) composition	Model name	Part number
	2021	- 200



<Features>

- The 2000 Series features 20-mm width compact slide rails. Smallest cross section among SPCC rails.

<Recommended screws>

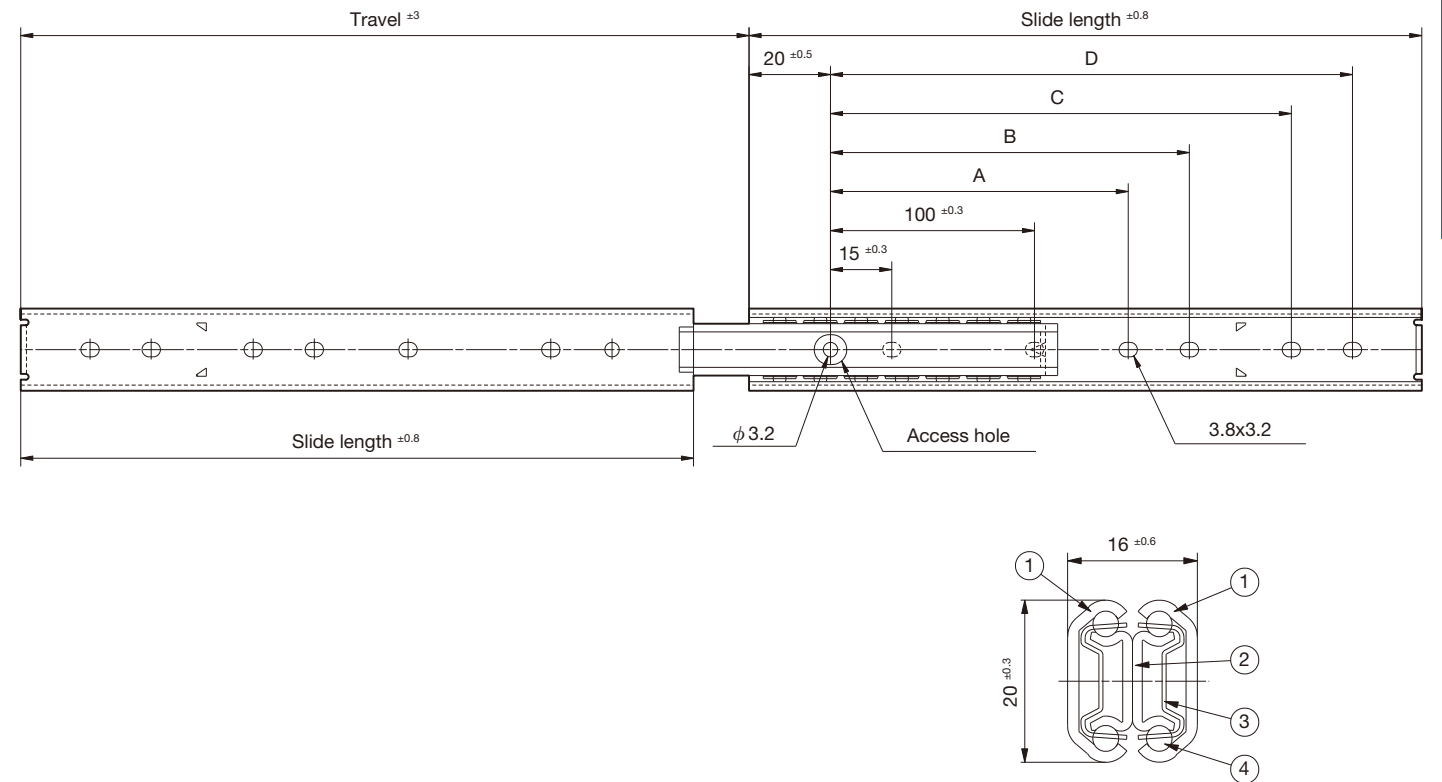
- M3 truss head screw or binding head screw

<Grease>

- JX Nippon Oil and Energy EPNOC Grease AP(N) 2

<Surface treatment>

- Part numbers (1) (2): Electrogalvanizing (trivalent bright chromate)



Part number	Slide length (mm)	Travel (mm)	Mounting hole (mm) ± 0.3 mm				Load capacity (N/pair)	Product weight (kg/piece)	Quantity in package (pieces)
			A	B	C	D			
200	200	229	-	-	145.0	160.0	147	0.20	36
250	250	269	-	-	195.0	210.0	147	0.26	36
300	300	329	-	160.0	245.0	260.0	147	0.31	36
350	350	369	-	210.0	295.0	310.0	147	0.37	36
400	400	429	-	260.0	345.0	360.0	98	0.42	36
450	450	469	205.0	310.0	395.0	410.0	98	0.48	36
500	500	529	230.0	360.0	445.0	460.0	98	0.53	36
550	550	569	255.0	410.0	495.0	510.0	98	0.60	36

* For special sizes, contact our sales staff.

* Changes may be made without notice for improved quality, environment, and safety, without affecting function or mounting.

ORDER OK! For requests concerning special sizes or specification changes etc., contact our sales staff.

Product number (product name) composition	Model name	Part number
	2031	- 200



<Features>

- 27-mm width slim slide rail.

<Recommended screws>

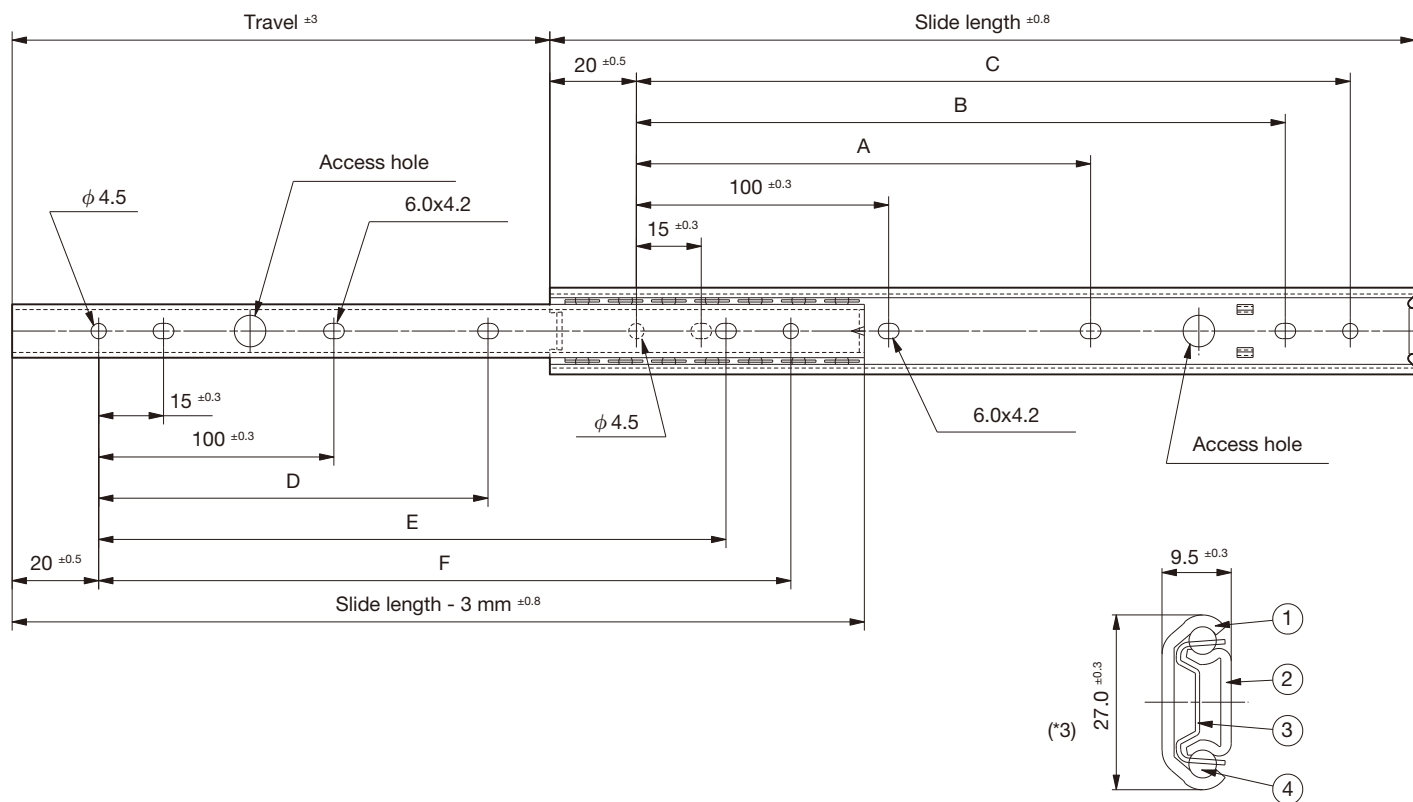
- M4 binding head screw

<Grease>

- JX Nippon Oil and Energy EPNOC Grease AP(N) 2

<Surface treatment>

- Part numbers (1) (2): Electrogalvanizing (trivalent bright chromate); however, U2721 is stainless steel and therefore unplated.



Part number	Slide length (mm)	Travel (mm)	Mounting hole (mm) ± 0.3 mm						Load capacity (N/pair)	Product weight (kg/piece)	Quantity in package (pieces)
			A	B	C	D	E	F			
200	200	134	-	145.0	160.0	-	145.0	160.0	255	0.15	60
250	250	184	150.0	195.0	210.0	150.0	195.0	210.0	265	0.19	60
300	300	222	190.0	245.0	260.0	190.0	245.0	260.0	275	0.23	60
350	350	259	225.0	295.0	310.0	225.0	295.0	310.0	275	0.27	60
400	400	296	265.0	345.0	360.0	265.0	345.0	360.0	265	0.31	60
450	450	334	300.0	395.0	410.0	300.0	395.0	410.0	255	0.34	60
500	500	371	337.0	445.0	460.0	337.0	445.0	460.0	235	0.38	60

* For special sizes, contact our sales staff.

* Changes may be made without notice for improved quality, environment, and safety, without affecting function or mounting.

(*1) The SUS model (U2721) material is SUS304 for (1) to (3) and SUS440C for (4).

(*2) The SUS model (U2721) plate thickness is t: 1.5 for (1) to (2) and t: 0.5 for (3).

(*3) The SUS model height is 26.8 mm

ORDER OK! For requests concerning special sizes or specification changes etc., contact our sales staff.

Product number (product name) composition	Model name	Part number
	2721	- 200



<Features>

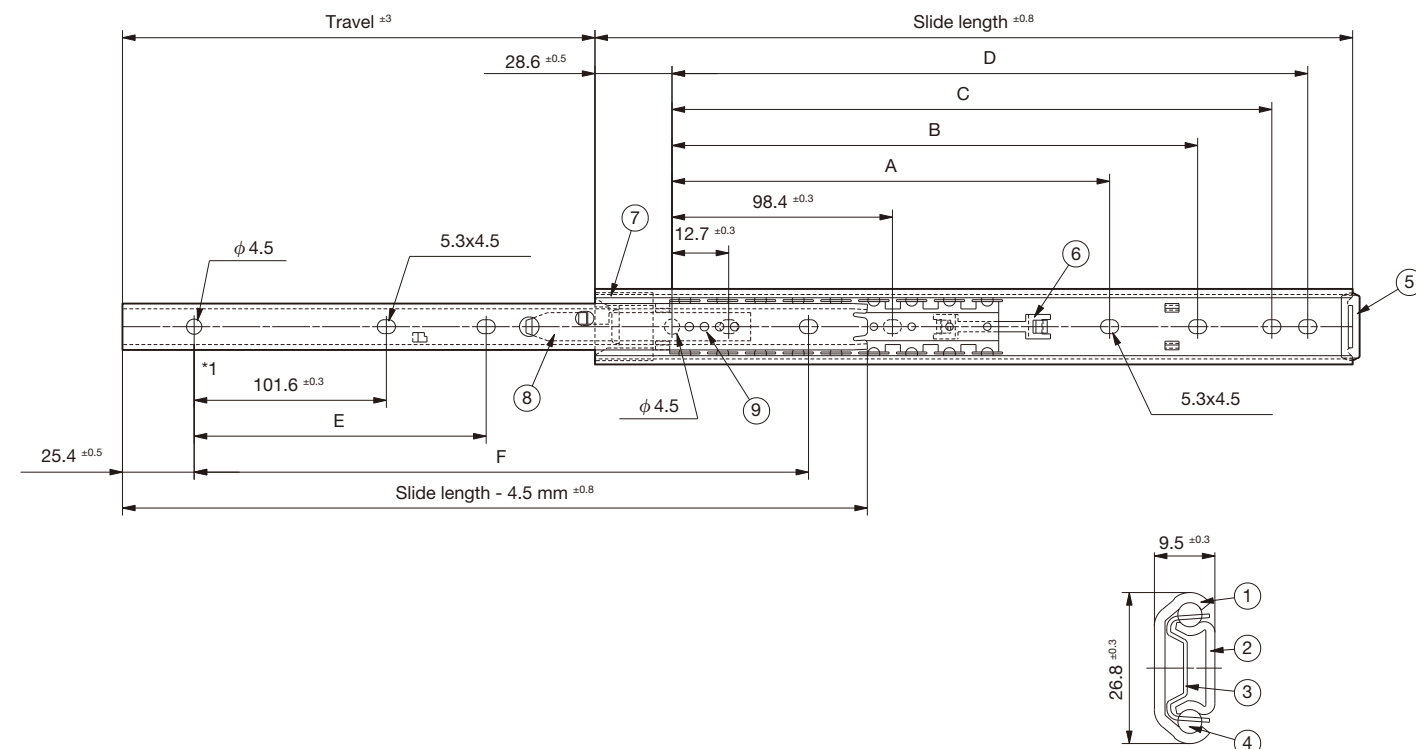
- Stopper takes effect when rail is drawn out. As well, the inner member can be disconnected through disconnect spring operation.
- [Caution]
 - Do not insert the disconnected inner member into another rail. It may lead to poor operation.
- A lead-in guide is attached, so that the inner member can be easily reinserted.
- The lock is automatically released at rail closing. (The lock is released without spring operation.)
- 27-mm width slim slide rail.

<Recommended screws>

- M4 binding head screw

<Grease>

- JX Nippon Oil and Energy EPNOC Grease AP(N) 2



Part number	Slide length (mm)	Travel (mm)	Mounting hole (mm) ± 0.3 mm						Load capacity (N/pair)	Product weight (kg/piece)	Quantity in package (pieces)
			A	B	C	D	E	F			
8A	203.2	127	-	-	146.0	158.7	-	162.6	255	0.16	60
10A	254.0	159	-	-	196.8	209.5	-	203.2	265	0.20	60
12A	304.8	203	-	136.5	247.6	260.3	-	254.0	275	0.24	60
14A	355.6	254	-	187.3	298.4	311.1	-	304.8	275	0.28	60
16A	406.4	305	-	238.1	349.2	361.9	158.8	355.6	265	0.32	60
18A	457.2	330	200.0	288.9	400.0	412.7	177.8	406.4	255	0.35	60
20A	508.0	381	225.4	339.7	450.8	463.5	203.2	457.2	235	0.39	60

* For special sizes, contact our sales staff.

* Changes may be made without notice for improved quality, environment, and safety, without affecting function or mounting.

(*1) Products with part numbers 8A and 10A do not have mounting holes in the *1 position.

(*2) The hollow rivet is SWCH (Cu-Ni plating).

ORDER OK! For requests concerning special sizes or specification changes etc., contact our sales staff.

Product number (product name) composition	Model name	Part number
	U2725	- 8A



<Features>

- Quiet opening & closing using a plastic bumper.
- 27-mm width slim slide rail.

<Recommended screws>

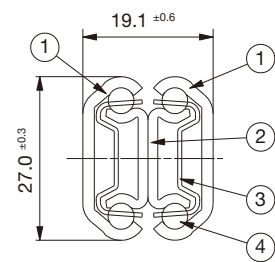
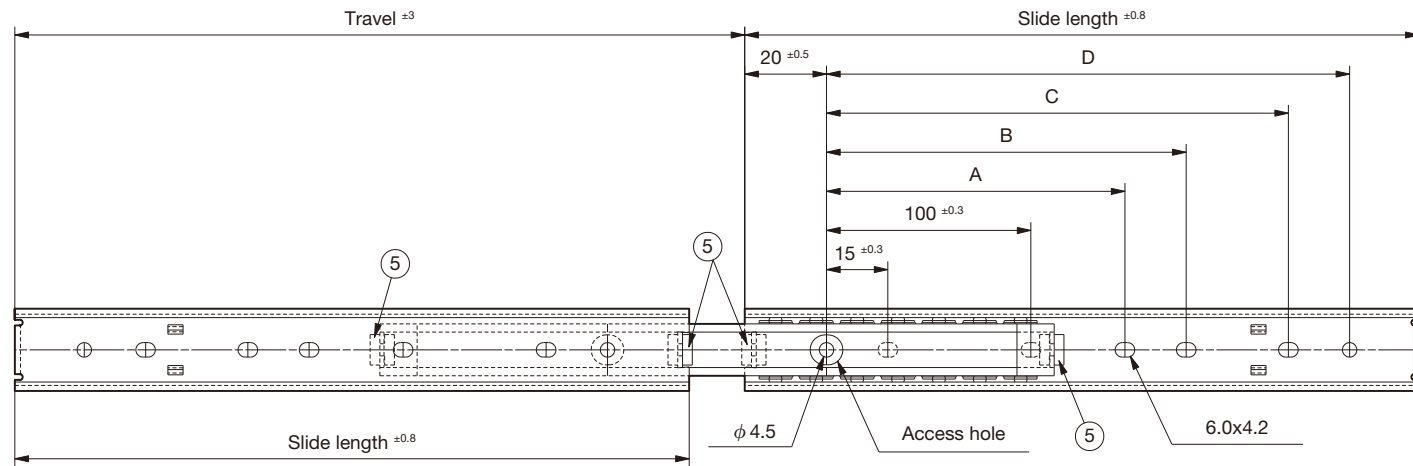
- M4 binding head screw

<Grease>

- JX Nippon Oil and Energy EPNOC Grease AP(N) 2

<Surface treatment>

- Part numbers (1) (2): Electrogalvanizing (trivalent bright chromate)



Part number	Slide length (mm)	Travel (mm)	Mounting hole (mm) ± 0.3 mm				Load capacity (N/pair)	Product weight (kg/piece)	Quantity in package (pieces)
			A	B	C	D			
200A	200	230	-	-	145.0	160.0	343	0.30	30
250A	250	279	-	150.0	195.0	210.0	353	0.38	30
300A	300	328	-	190.0	245.0	260.0	363	0.46	30
350A	350	377	-	225.0	295.0	310.0	353	0.54	30
400A	400	426	-	265.0	345.0	360.0	333	0.62	30
450A	450	476	205.0	300.0	395.0	410.0	304	0.71	30
500A	500	525	230.0	337.0	445.0	460.0	275	0.78	30

Number	Part name	Material	Remark
①	Cabinet member	SPCC	t: 1.6
	Drawer member	SPCC	t: 1.6
②	Center member	SPCC	t: 1.4
③	Ball retainer	SECC	t: 0.6
④	Ball	SWCH	3/16"
⑤	Silencing bumper	TPU	-

* For special sizes, contact our sales staff.

* Changes may be made without notice for improved quality, environment, and safety, without affecting function or mounting.

ORDER OK!

For requests concerning special sizes or specification changes etc., contact our sales staff.

Product number (product name) composition	Model name	Part number
	2731M	- 200A



<Features>

- 27-mm width slim slide rail.

<Recommended screws>

- M4 binding head screw

<Grease>

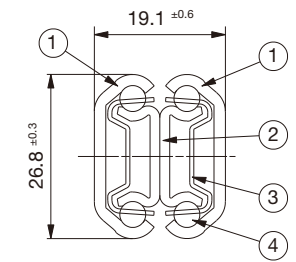
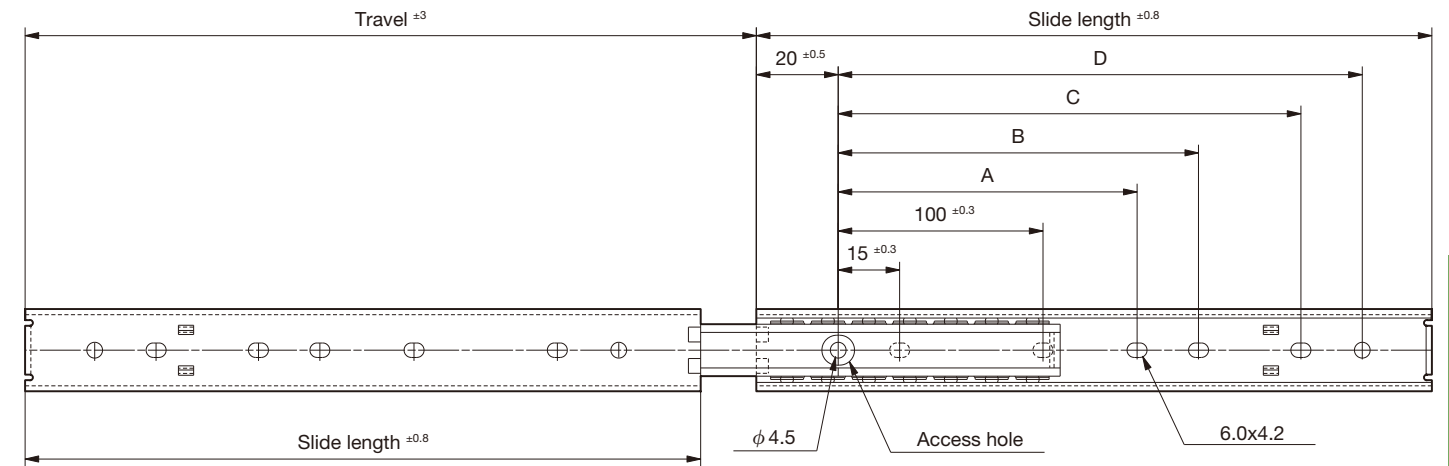
- JX Nippon Oil and Energy EPNOC Grease AP(N) 2

<Surface treatment>

- All stainless steel type.

[Caution]

We do not handle equivalent steel products, but we offer the 2731M with a quiet movement function and the 2731MC with a hold-detent mechanism; please refer to these.



Part number	Slide length (mm)	Travel (mm)	Mounting hole (mm) ± 0.3 mm				Load capacity (N/pair)	Product weight (kg/piece)	Quantity in package (pieces)
			A	B	C	D			
200	200	218	-	-	145.0	160.0	343	0.30	30
250	250	267	-	150.0	195.0	210.0	353	0.38	30
300	300	316	-	190.0	245.0	260.0	363	0.46	30
350	350	365	-	225.0	295.0	310.0	353	0.54	30
400	400	415	-	265.0	345.0	360.0	333	0.61	30
450	450	464	205.0	300.0	395.0	410.0	304	0.69	30
500	500	513	230.0	337.0	445.0	460.0	275	0.77	30

Number	Part name	Material	Remark
①	Cabinet member	SUS304	t: 1.5
	Drawer member	SUS304	t: 1.5
②	Center member	SUS304	t: 1.5
③	Ball retainer	SUS304	t: 0.5
④	Ball	SUS440C	3/16"

* For special sizes, contact our sales staff.

* Changes may be made without notice for improved quality, environment, and safety, without affecting function or mounting.

ORDER OK!

For requests concerning special sizes or specification changes etc., contact our sales staff.

Product number (product name) composition	Model name	Part number
	U2731	- 200



<Features>

- 27-mm width slim slide rail.
- The inner member can be disconnected through disconnect spring operation.
- [Caution]
 - Do not insert the disconnected inner member into another rail. (It may lead to poor operation.)
- A lead-in guide is attached, so that the inner member can be easily reinserted.
- The lock is automatically released at rail closing. (The lock is released without spring operation.)

<Recommended screws>

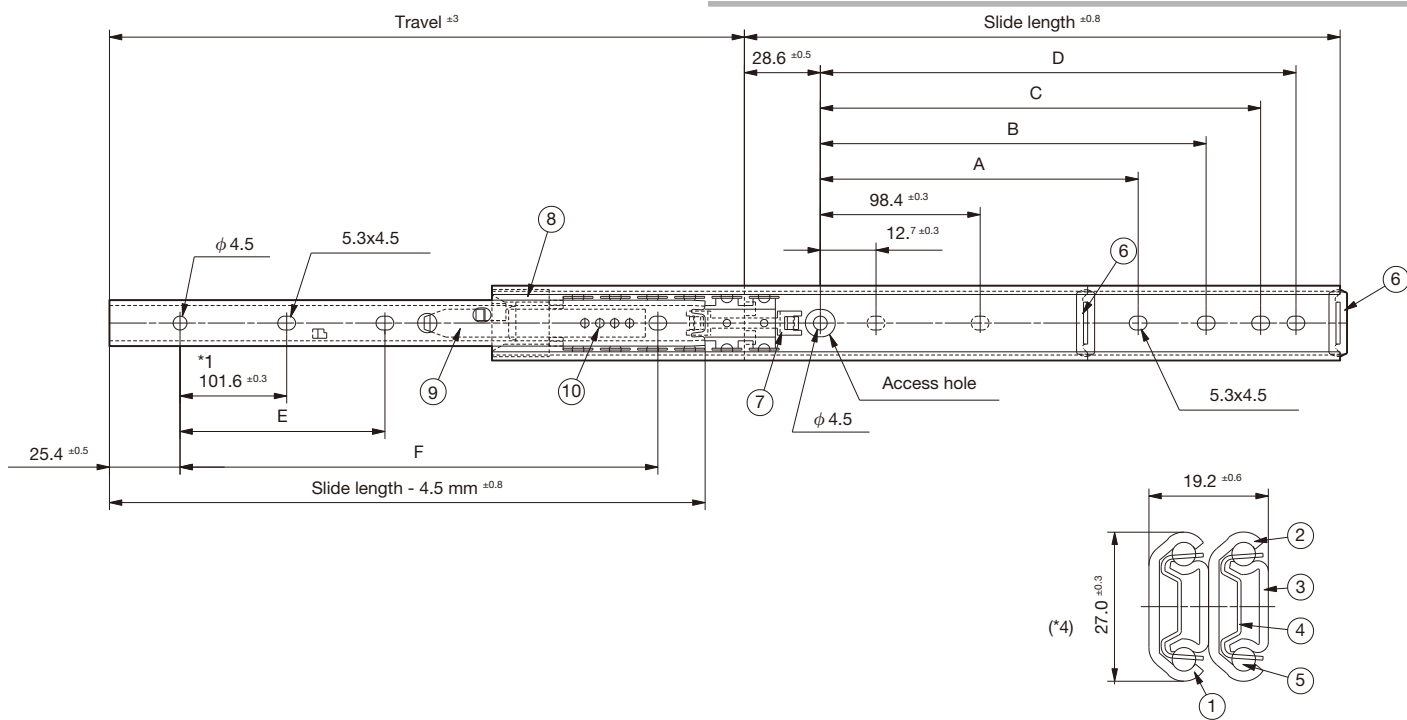
- M4 binding head screw

<Grease>

- JX Nippon Oil and Energy EPNOC Grease AP(N) 2

<Surface treatment>

- Part numbers (1) (2) (3): Electrogalvanizing (trivalent bright chromate); however, U2736 is stainless steel and therefore unplated.



Part number	Slide length (mm)	Travel (mm)	Mounting hole (mm) ± 0.3 mm						Load capacity (N/pair)	Product weight (kg/piece)	Quantity in package (pieces)
			A	B	C	D	E	F			
8 (A)	203.2	225	-	-	146.0	158.7	-	162.6	343	0.29	30
10 (A)	254.0	276	-	-	196.8	209.5	-	203.2	353	0.37	30
12 (A)	304.8	327	-	136.5	247.6	260.3	-	254.0	363	0.45	30
14 (A)	355.6	379	-	187.3	298.4	311.1	-	304.8	353	0.53	30
16 (A)	406.4	429	-	238.1	349.2	361.9	158.8	355.6	333	0.61	30
18 (A)	457.2	480	200.0	288.9	400.0	412.7	177.8	406.4	294	0.69	30
20 (A)	508.0	530	225.4	339.7	450.8	463.5	203.2	457.2	275	0.77	30

* A is attached to SUS part numbers.

* For special sizes, contact our sales staff.

* Changes may be made without notice for improved quality, environment, and safety, without affecting function or mounting.

(*1) Products with part numbers 8(A) and 10(A) do not have mounting holes in the *1 position.

(*2) The SUS model (U2736) material is SUS304 for (1) to (4) and SUS440C for (5).

(*3) The SUS model (U2726) plate thickness is t: 1.5 for (1) and (3) and t: 0.5 for (4).

(*4) The SUS model height is 26.8 mm

(*5) The hollow rivet is SWCH (Cu-Ni plating).

ORDER OK! For requests concerning special sizes or specification changes etc., contact our sales staff.

Product number (product name) composition	Model name	Part number
	2736	- 8(A) A is attached to SUS part numbers



<Features>

- Standard-use 35-mm rail compact overtravel type.
- Developed by making the 3531 model (thickness 19.2 mm) more than 6 mm slimmer.
- A silencing bumper is provided to reduce the shock and noise of closing.

<Recommended screws>

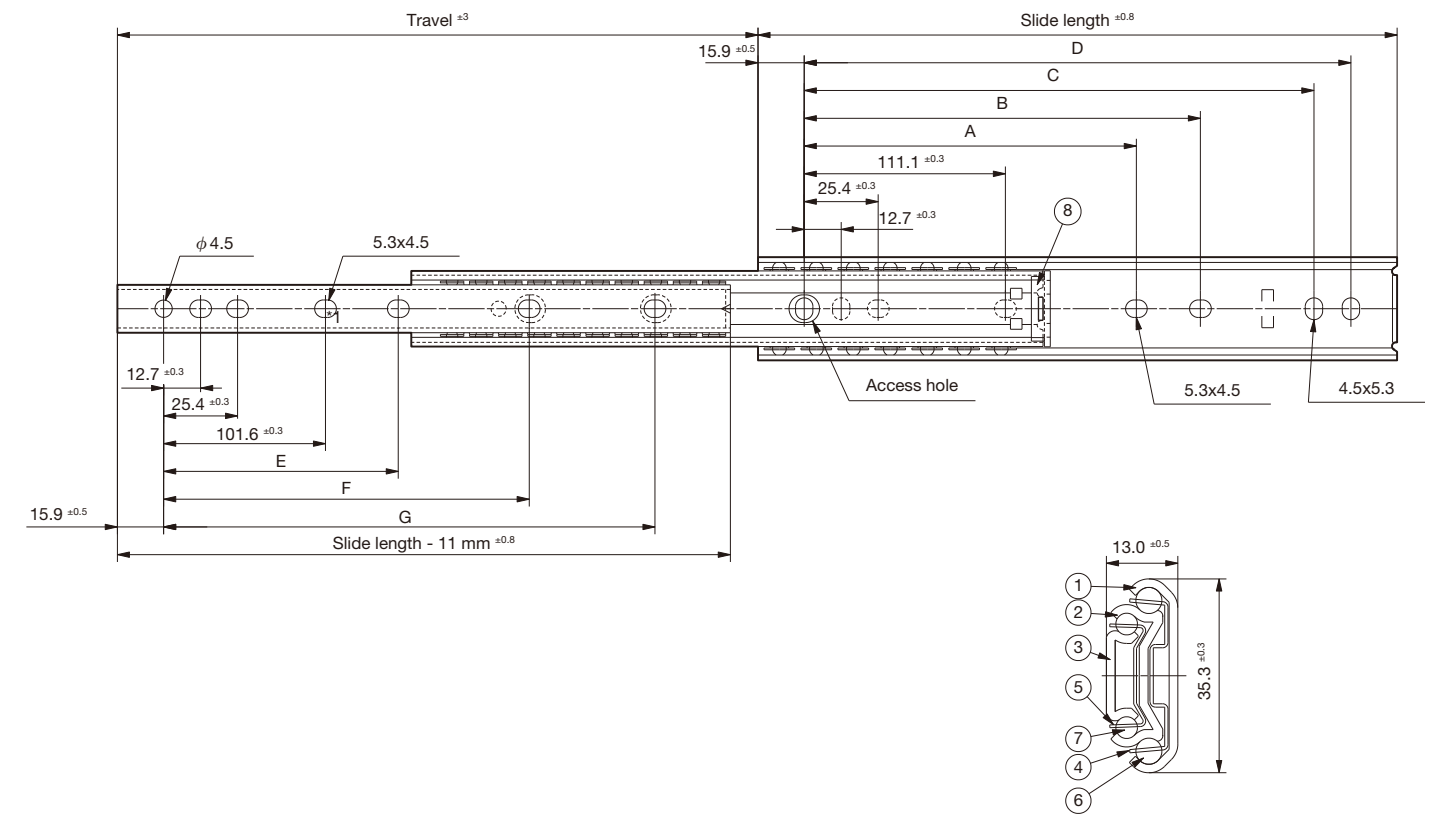
- M4 truss head screw or binding head screw

<Grease>

- JX Nippon Oil and Energy EPNOC Grease AP(N) 2

<Surface treatment>

- Part numbers (1) (2) (3): Electrogalvanizing (trivalent bright chromate)



Part number	Slide length (mm)	Travel (mm)	Mounting hole (mm) ± 0.3 mm							Load capacity (N/pair)	Product weight (kg/piece)	Quantity in package (pieces)
			A	B	C	D	E	F	G			
8A	203.2	214	-	-	158.7	171.4	-	50.8	152.4	294	0.29	30
10A	254.0	265	-	-	209.5	222.2	-	-	203.2	324	0.37	30
12A	304.8	316	-	149.2	260.3	273.0	-	152.4	254.0	333	0.44	30
14A	355.6	366	-	200.0	311.1	323.8	-	203.2	304.8	343	0.52	30
16A	406.4	417	-	250.8	361.9	374.6	-	254.0	355.6	333	0.59	30
18A	457.2	468	212.7	301.6	412.7	425.4	207.7	304.8	406.4	333	0.67	30
20A	508.0	519	238.1	352.4	463.5	476.2	233.1	355.6	457.2	324	0.75	30
22A	558.8	570	263.5	403.2	514.3	527.0	258.5	406.4	508.0	304	0.83	30
24A	609.6	620	288.9	454.0	565.1	577.8	283.9	457.2	558.8	294	0.91	16

* For special sizes, contact our sales staff.

* Changes may be made without notice for improved quality, environment, and safety, without affecting function or mounting.

ORDER OK! For requests concerning special sizes or specification changes etc., contact our sales staff.

Product number (product name) composition	Model name	Part number
	C350	- 8A



<Features>

- Includes a quiet movement mechanism at opening and closing and a hold-in detent mechanism.
- Standard-use 35-mm rail compact overtravel type.
- A Sky original product, developed by making the 3531 model (thickness 19.2 mm) more than 6 mm slimmer.

<Recommended screws>

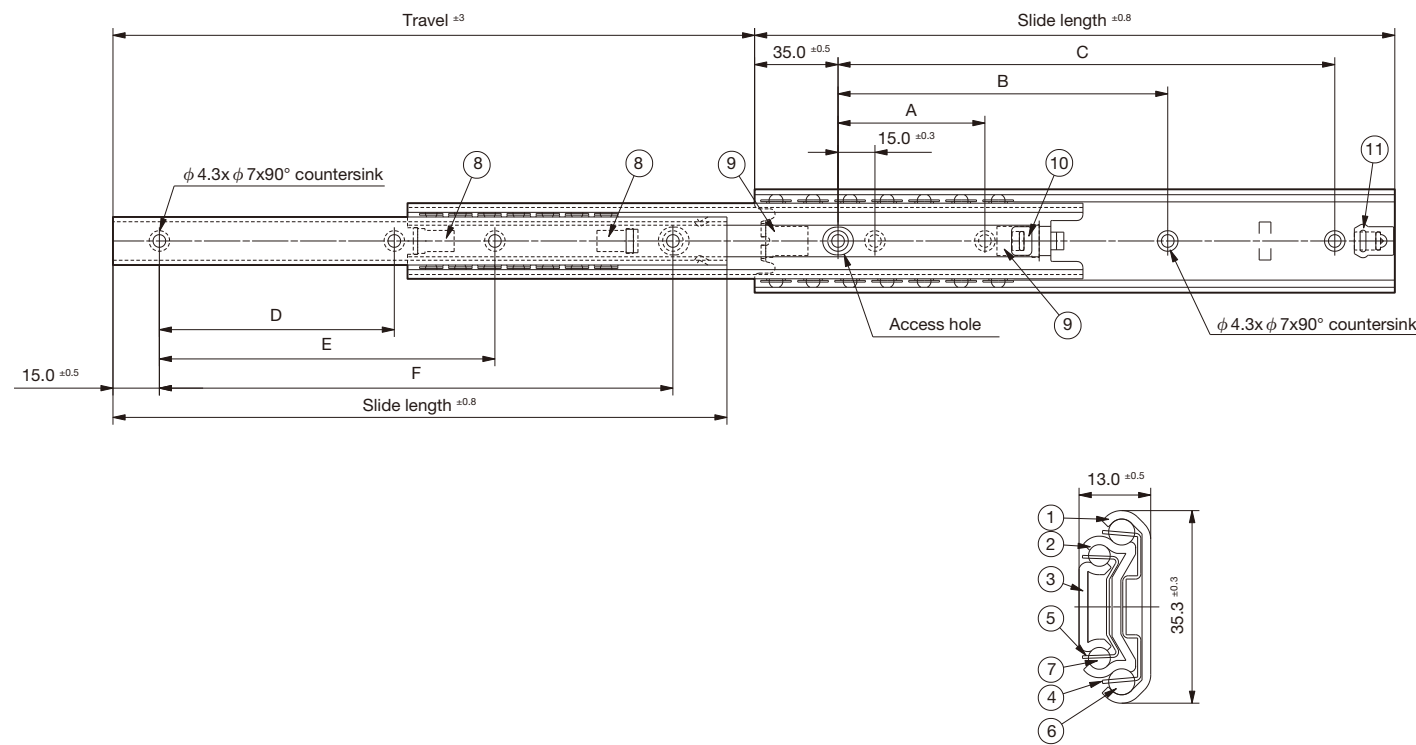
- M4 Countersunk Trim Head Screw or Flat Trim Head Screw

<Grease>

- JX Nippon Oil and Energy EPNOC Grease AP(N) 2

<Surface treatment>

- Part numbers (1) (2) (3): Electrogalvanizing (trivalent bright chromate)



<Features>

- Brake-stop type. With a sharp pull from the full-travel position, the inner member can be disconnected. (Stopper is not provided.) [Caution] Do not insert the disconnected inner member into another rail. (It may lead to poor operation.)
- A lead-in guide is attached, so that the inner member can be easily reinserted.
- Standard-use 35-mm rail compact overtravel type.
- A Sky original product, developed by making the 3531 (thickness 19.2 mm) more than 6 mm slimmer.
- A quiet movement member is provided to reduce the shock and noise of closing.

<Recommended screws>

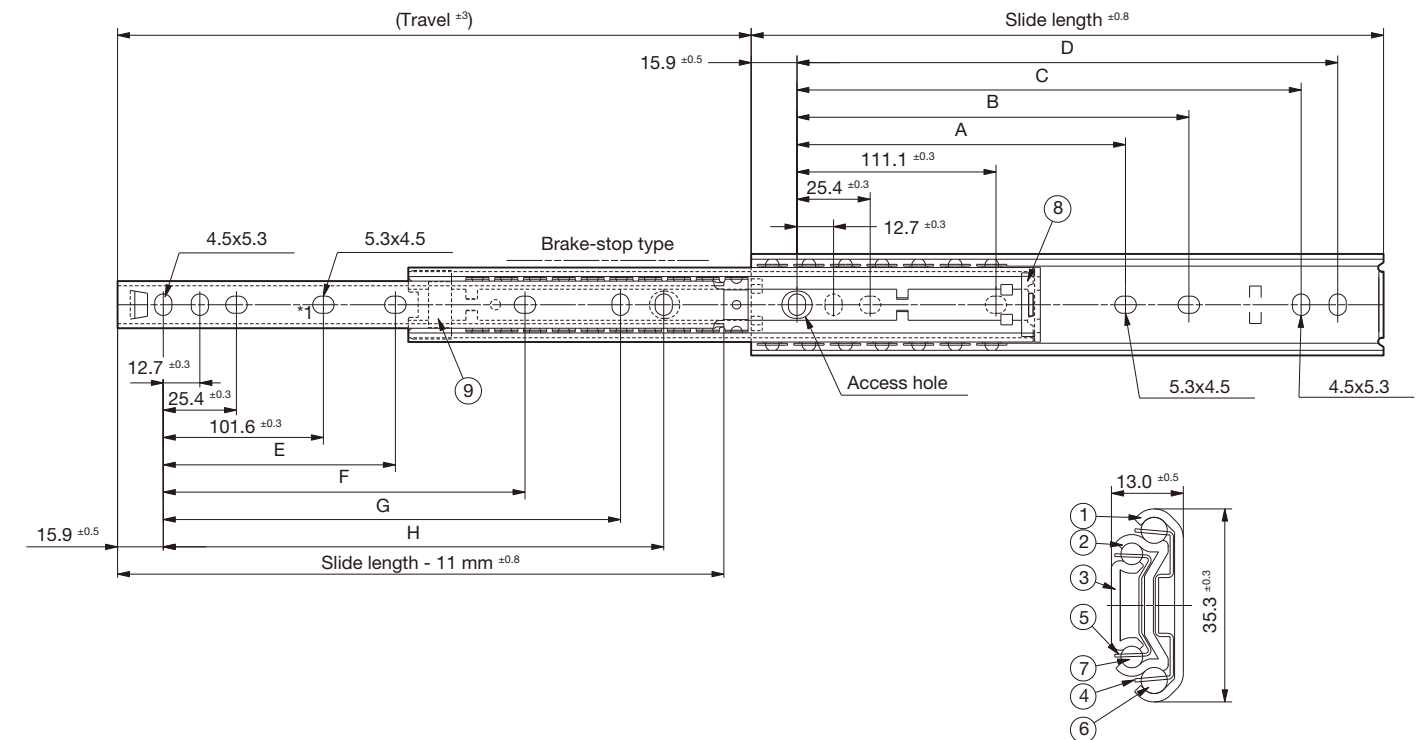
- M4 truss head screw or binding head screw

<Grease>

- JX Nippon Oil and Energy EPNOC Grease AP(N) 2

<Surface treatment>

- Part numbers (1) (2) (3): Electrogalvanizing (trivalent bright chromate)



Part number	Slide length (mm)	Travel (mm)	Mounting hole (mm) ± 0.3 mm						Load capacity (N/pair)	Product weight (kg/piece)	Quantity in package (pieces)
			A	B	C	D	E	F			
12	304.8	316	110.0	-	240.0	110.0	-	270.0	333	0.45	30
14	355.6	366	110.0	180.0	290.0	110.0	210.0	320.0	343	0.53	30
16	406.4	416	110.0	230.0	340.0	110.0	260.0	370.0	333	0.60	30
18	457.2	466	150.0	240.0	390.0	150.0	270.0	420.0	333	0.68	30
20	508.0	516	150.0	290.0	440.0	150.0	320.0	470.0	323	0.76	30
22	558.8	576	180.0	310.0	490.0	200.0	330.0	530.0	304	0.84	30
24	609.6	626	180.0	360.0	540.0	200.0	380.0	580.0	294	0.92	16

Number	Part name	Material	Remark
①	Outer member	SPCC	t: 1.6
②	Center member	SPCC	t: 1.6
③	Inner member	SPCC	t: 1.6
④	Ball retainer	SECC	t: 0.6
⑤	Ball retainer	SECC	t: 0.5
⑥	Ball	SWCH	3/16"
⑦	Ball	SWCH	5/32"
⑧	Ball retainer bumper (small)	TPU	-
⑨	Ball retainer bumper (large)	TPU	-
⑩	Rear bumper	TPU	-
⑪	Catching bumper	TPU	-

* For special sizes, contact our sales staff.

* Changes may be made without notice for improved quality, environment, and safety, without affecting function or mounting.

Part number	Slide length (mm)	Travel (mm)	Mounting hole (mm) ± 0.3 mm								Load capacity (N/pair)	Product weight (kg/piece)	Quantity in package (pieces)
			A	B	C	D	E	F	G	H			
8A	203.2	(222)	-	-	158.7	171.4	-	50.8	152.4	165.1	294	0.29	30
10A	254.0	(272)	-	-	209.5	222.2	-	-	203.2	215.9	324	0.37	30
12A	304.8	(324)	-	-	260.3	273.0	-	-	254.0	266.7	333	0.45	30
14A	355.6	(373)	-	-	311.1	323.8	-	-	304.8	317.5	343	0.53	30
16A	406.4	(424)	-	-	361.9	374.6	-	-	355.6	368.3	333	0.60	30
18A	457.2	(478)	212.7	301.6	412.7	425.4	207.7	304.8	406.4	419.1	333	0.69	30
20A	508.0	(526)	238.1	352.4	463.5	476.2	233.1	355.6	457.2	469.9	324	0.76	30
22A	558.8	(573)	263.5	403.2	514.3	527.0	258.5	406.4	508.0	520.7	304	0.85	30
24A	609.6	(627)	288.9	454.0	565.1	577.8	283.9	457.2	558.8	571.5	294	0.93	16

Number	Part name	Material	Remark
①	Outer member	SPCC	t: 1.6
②	Center member	SPCC	t: 1.6
③	Inner member	SPCC	t: 1.6
④	Ball retainer	SECC	t: 0.6
⑤	Ball retainer	SECC	t: 0.5
⑥	Ball	SWCH	3/16"
⑦	Ball	SWCH	5/32"
⑧	Plastic bumper for closing	TPU	-
⑨	Lead-in guide	POM	-

* For special sizes, contact our sales staff.

* Changes may be made without notice for improved quality, environment, and safety, without affecting function or mounting.

(*1) Part numbers 8(A) do not have mounting holes in the *1 position.

ORDER OK! For requests concerning special sizes or specification changes etc., contact our sales staff.

Product number (product name) composition	Model name	Part number
	C351	- 12

ORDER OK! For requests concerning special sizes or specification changes etc., contact our sales staff.

Product number (product name) composition	Model name	Part number
	C352	- 8A



<Features>

- Standard-use 35-mm rail compact overtravel type.
 - A Sky original product, developed by making the 3531 model (thickness 19.2 mm) more than 6 mm thinner.
 - The inner member can be disconnected through disconnect spring operation.
- [Caution]
Do not insert the disconnected inner member into another rail.
(It may lead to poor operation.)
- Two types of disconnect springs, with differing lock release methods at closing, are available. For details, confirm with the disconnect spring selection method (above the dimension figure).
 - Rail with sequential mechanism. Operates smoothly at draw-out, suppressing rail wobble. Because the lock mechanism acts at closing, the drawn-out rail is locked and the inner member can be easily reinserted.

<Recommended screws>

- M4 binding head screw

<Grease>

- JX Nippon Oil and Energy EPNOC Grease AP(N) 2

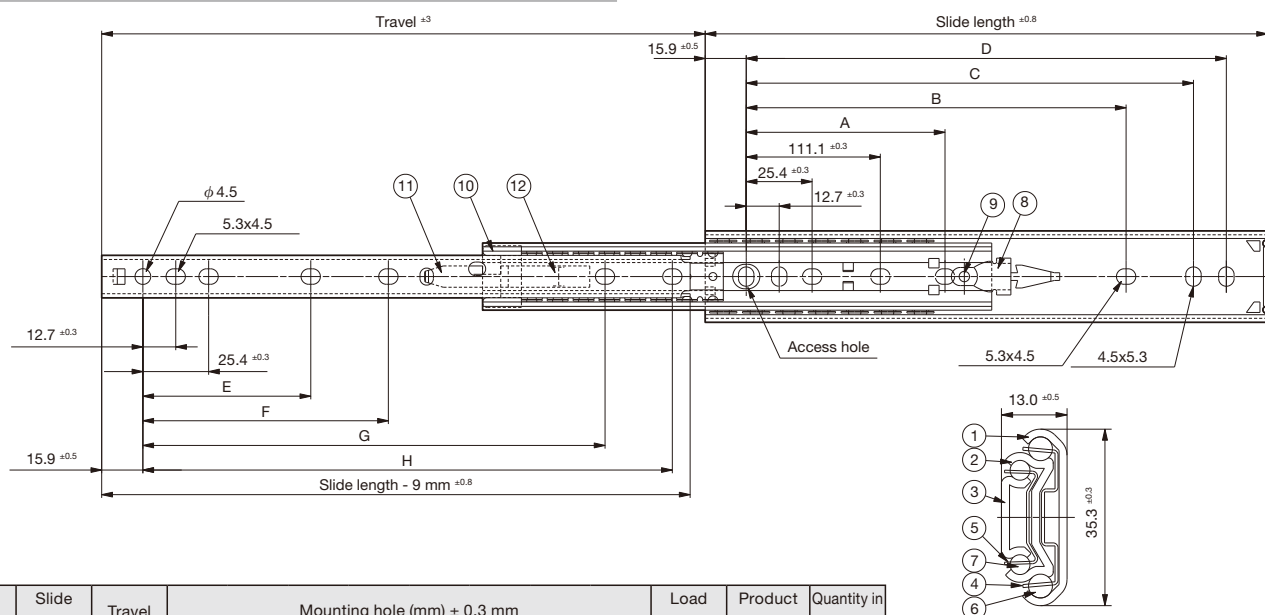
<Surface treatment>

- Part numbers (1) (2) (3) (9): Electrogalvanizing (trivalent bright chromate)

Selecting a disconnect spring
Stopper takes effect at draw-out, and is manually released at inner disconnect. Lock release method at closing can be selected by disconnect spring type. As well, the C3 type is offered as standard. We provide the standard product in the absence of a specific designation.

Type	Lock release method
C2	Manual release
C3	Automatic release (release and closing without spring operation)

<Standard>



Part number	Slide length (mm)	Travel (mm)	Mounting hole (mm) ± 0.3 mm								Load capacity (N/pair)	Product weight (kg/piece)	Quantity in package (pieces)
			A	B	C	D	E	F	G	H			
8	203.2	200	-	-	158.7	171.4	50.8	-	-	152.4	294	0.29	30
10	254.0	250	-	-	209.5	222.2	101.6	-	-	203.2	324	0.37	30
12	304.8	324	-	-	260.3	273.0	101.6	-	-	254.0	333	0.45	30
14	355.6	378	-	200.0	311.1	323.8	101.6	-	-	304.8	343	0.52	30
16	406.4	429	-	250.8	361.9	374.6	101.6	-	-	355.6	333	0.60	30
18	457.2	487	212.7	301.6	412.7	425.4	101.6	207.7	-	406.4	333	0.69	30
20	508.0	530	238.1	352.4	463.5	476.2	101.6	233.1	355.6	457.2	324	0.77	30
22	558.8	581	263.5	403.2	514.3	527.0	101.6	258.5	406.4	508.0	304	0.85	30
24	609.6	632	288.9	454.0	565.1	577.8	101.6	283.9	457.2	558.8	294	0.92	16

* For special sizes, contact our sales staff.

* Changes may be made without notice for improved quality, environment, and safety, without affecting function or mounting.

Number	Part name	Material	Remark
①	Outer member	SPCC	t: 1.6
②	Center member	SPCC	t: 1.6
③	Inner member	SPCC	t: 1.6
④	Ball retainer	SECC	t: 0.6
⑤	Ball retainer	SECC	t: 0.5
⑥	Ball	SWCH	3/16"
⑦	Ball	SWCH	5/32"
⑧	Flipper Lock	SPCC	Nitriding treatment
⑨	Rivet pin	SWCH	-
⑩	Lead-in guide	POM	-
⑪	Disconnect spring	SUS304	t: 0.5
⑫	Hollow rivet	SWCH	-

ORDER OK! For requests concerning special sizes or specification changes etc., contact our sales staff.

Product number (product name) composition	Model name	Part number	Disconnect spring types
C357	-	8	C3



<Features>

- Standard-use 35-mm sized slide rail.
- Linear motion type: Inner member moves linearly within outer member.
- Standard length of plate and inner member is three inches (#3), [Special order] products include 4-inch (#4) and 5-inch (#5) lengths, for 3511 (SPCC) only.

<Recommended screws>

- M4 truss head screw or binding head screw

<Grease>

- JX Nippon Oil and Energy EPNOC Grease AP(N) 2

<Surface treatment>

- Part numbers (1) (2) (5): Electrogalvanizing (trivalent bright chromate); however, U11 is stainless steel and therefore unplated.

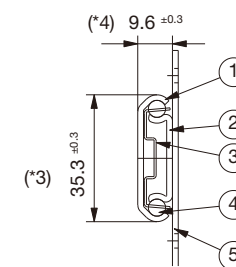
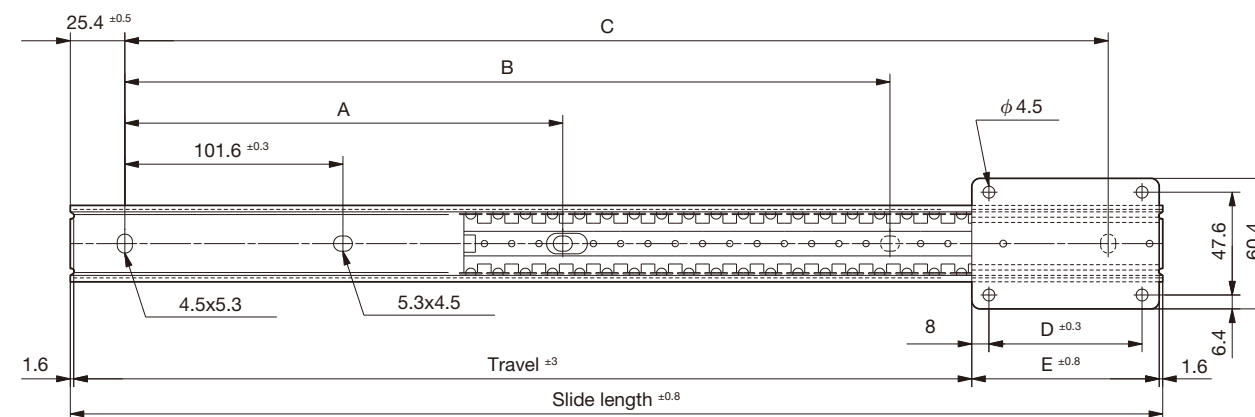


Plate No.	#3	#4	#5	Mounting hole (mm) ± 0.3 mm			Product weight (kg/piece)	Quantity in package (pieces)	
	(Standard)	(Special order)	(Special order)	A	B	C			
E	76.2	101.6	127.0	-	-	-	-	-	
D	60.2	85.6	111.0	-	-	-	-	-	
12	304.8	225	200	175	-	152.4	254.0	0.30	25
14	355.6	276	251	225	-	203.2	304.8	0.34	25
16	406.4	327	302	276	-	254.0	355.6	0.37	25
18	457.2	378	352	327	203.2	304.8	406.4	0.40	25
20	508.0	429	403	378	228.6	355.6	457.2	0.44	25
22	558.8	479	454	429	254.0	406.4	508.0	0.48	25
24	609.6	530	505	479	279.4	457.2	558.8	0.51	25
26	660.4	581	556	530	304.8	508.0	609.6	0.54	25
28	711.2	632	606	581	330.2	558.8	660.4	0.58	25

* For special sizes, contact our sales staff.

* Changes may be made without notice for improved quality, environment, and safety, without affecting function or mounting.

(*1) The SUS model (U11) material is SUS304 for (1) to (5).

(*2) The SUS model (U11) plate thickness is t: 1.5 for (1) to (2) and (5).

(*3) The SUS model height is 35.1 mm

(*4) The SUS model thickness is 9.5 mm

ORDER OK! For requests concerning special sizes or specification changes etc., contact our sales staff.

Product number (product name) composition	Model name	Part number	Plate No.
3511	-	12	#3



<Features>

- Standard-use 35-mm sized slide rail.

<Recommended screws>

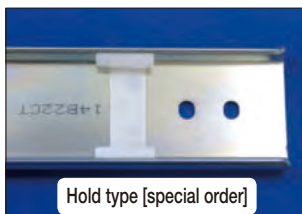
- M4 truss head screw or binding head screw

<Grease>

- JX Nippon Oil and Energy EPNOC Grease AP(N) 2

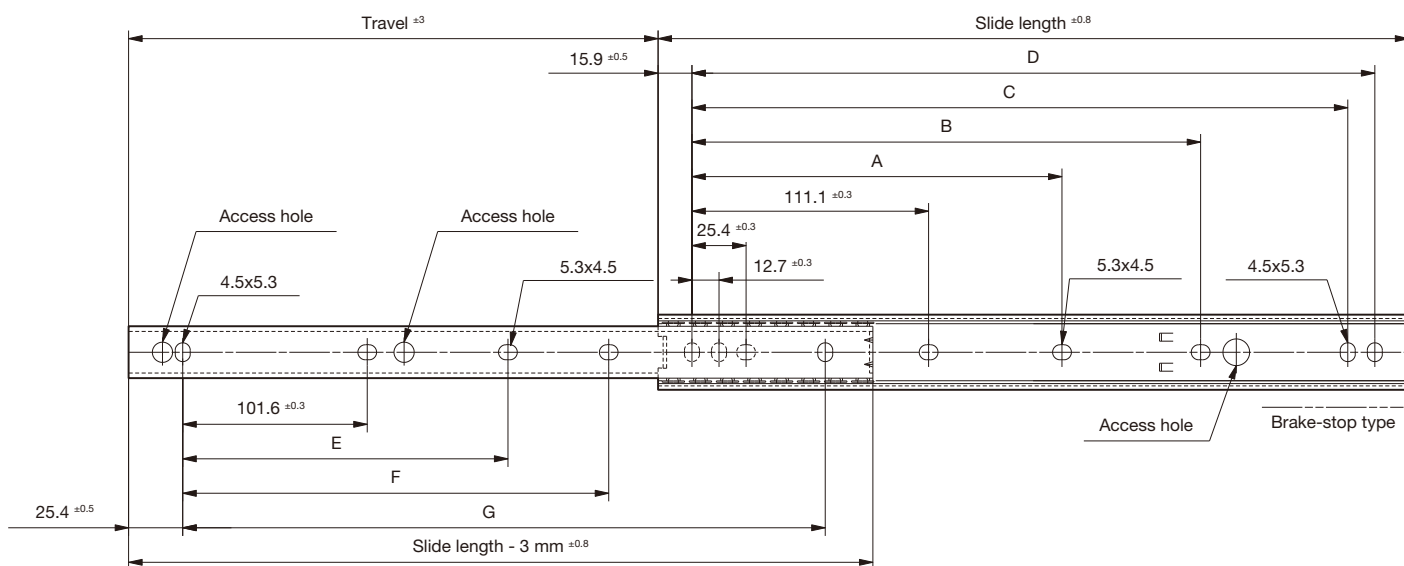
<Surface treatment>

- Part numbers (1) (2): Electrogalvanizing (trivalent bright chromate); however, U21 is stainless steel and therefore unplated.

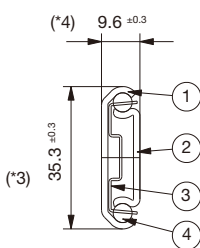


The hold type [HD], with plastic hold at closing and ball lock at draw-out, is also available. Please inquire for details.

Hold type [special order]



Part number	Slide length (mm)	Travel (mm)	Mounting hole (mm) ± 0.3 mm							Load capacity (N/pair)	Product weight (kg/piece)	Quantity in package (pieces)
			A	B	C	D	E	F	G			
12A	304.8	227	-	149.2	260.3	273.0	-	152.4	254.0	314	0.30	40
14A	355.6	278	-	200.0	311.1	323.8	-	203.2	304.8	284	0.35	40
16A	406.4	303	-	250.8	361.9	374.6	-	254.0	355.6	353	0.41	40
18A	457.2	328	212.7	301.6	412.7	425.4	203.2	304.8	406.4	422	0.46	40
20A	508.0	379	238.1	352.4	463.5	476.2	228.6	355.6	457.2	392	0.51	40
22A	558.8	405	263.5	403.2	514.3	527.0	254.0	406.4	508.0	441	0.58	40
24A	609.6	430	288.9	454.0	565.1	577.8	279.4	457.2	558.8	441	0.62	20
26A	660.4	481	314.3	504.8	615.9	628.6	304.8	508.0	609.6	412	0.68	20
28A	711.2	506	339.7	555.6	666.7	679.4	330.2	558.8	660.4	412	0.73	20



Number	Part name	Material (*1)	Remark (*2)
①	Outer member	SPCC	t=1.6
②	Inner member	SPCC	t=1.6
③	Ball retainer	SECC	t=0.6
④	Ball	SWCH	3/16"

* For special sizes, contact our sales staff.

* Changes may be made without notice for improved quality, environment, and safety, without affecting function or mounting.

(*1) The SUS model (U21) material is SUS304 for (1) to (4).

(*2) The SUS model (U21) plate thickness is t: 1.5 for (1) to (2).

(*3) The SUS model height is 35.1 mm

(*4) The SUS model thickness is 9.5 mm

ORDER OK! For requests concerning special sizes or specification changes etc., contact our sales staff.

Product number (product name) composition	Model name	Part number	Model name (hold)	Part number
	U21-	12A	3521HD-	12A



<Features>

- The inner member can be disconnected through disconnect spring operation. [Caution]
 - Do not insert the disconnected inner member into another rail. (It may lead to poor operation.)
- A lead-in guide is attached, so that the inner member can be easily reinserted.
- Three types of disconnect springs are available, with differing lock methods at closing. (See the disconnect spring selection method)
- Standard-use 35-mm sized slide rail.

<Recommended screws>

- M4 truss head screw or binding head screw

<Grease>

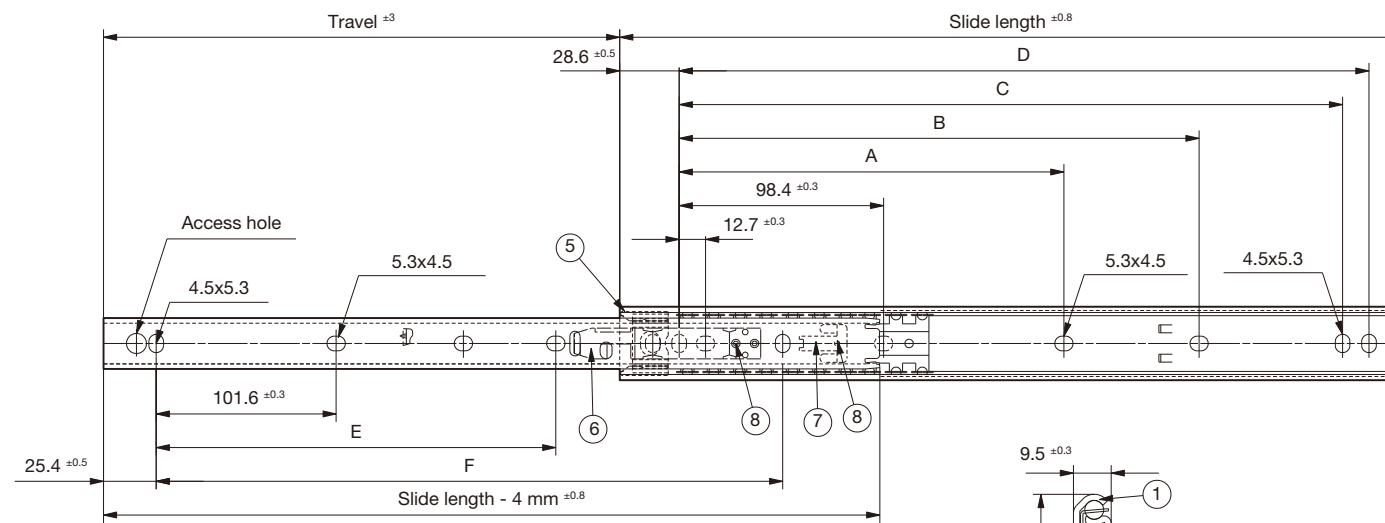
- JX Nippon Oil and Energy EPNOC Grease AP(N) 2

<Surface treatment>

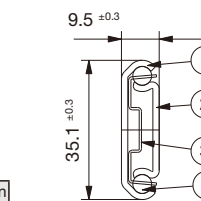
- All stainless steel type. For steel products, consult the similar specifications of the 3525 model.

Selecting a disconnect spring
Stopper takes effect at draw-out, and is manually released at inner disconnect. Lock release method at closing can be selected by disconnect spring type.

Type	Lock release method
C2	Manual release
C3	Automatic release (release and closing without spring operation)
C4	Hold-detent (release and closing with minimal force, without spring operation)



Part number	Slide length (mm)	Travel (mm)	Mounting hole (mm) ± 0.3 mm							Load capacity (N/pair)	Product weight (kg/piece)	Quantity in package (pieces)
			A	B	C	D	E	F				
12A	304.8	224	-	136.5	247.6	260.3	152.4	-	314	0.30	40	
14A	355.6	275	-	187.3	298.4	311.1	203.2	-	284	0.35	40	
16A	406.4	315	-	238.1	349.2	361.9	254.0	-	353	0.41	40	
18A	457.2	330	200.0	288.9	400.0	412.7	203.2	406.4	422	0.46	40	
20A	508.0	381	225.4	339.7	450.8	463.5	228.6	457.2	392	0.51	40	
22A	558.8	406	250.8	390.5	501.6	514.3	254.0	508.0	441	0.58	40	
24A	609.6	432	276.2	441.3	552.4	565.1	279.4	558.8	441	0.62	20	
26A	660.4	483	301.6	492.1	603.2	615.9	304.8	609.6	412	0.68	20	
28A	711.2	493	327.0	542.9	654.0	666.7	330.2	660.4	412	0.73	20	



Number	Part name	Material	Remark
①	Outer member	SUS304	t=1.5
②	Inner member	SUS304	t=1.5
③	Ball retainer	SUS304	t=0.6
④	Ball	SUS304	3/16"
⑤	Lead-in guide	POM	-
⑥	Disconnect spring	SUS304	t=0.8
⑦	Ball retainer spring	SUS304	t=0.3
⑧	Hollow rivet	SUSXM-7	-

* For special sizes, contact our sales staff.

* Changes may be made without notice for improved quality, environment, and safety, without affecting function or mounting.

ORDER OK! For requests concerning special sizes or specification changes etc., contact our sales staff.

Product number (product name) composition	Model name	Part number	Disconnect spring type
	U23-	12A	C3



<Features>

- Standard-use 35-mm sized slide rail.

<Recommended screws>

- M4 truss head screw or binding head screw

<Grease>

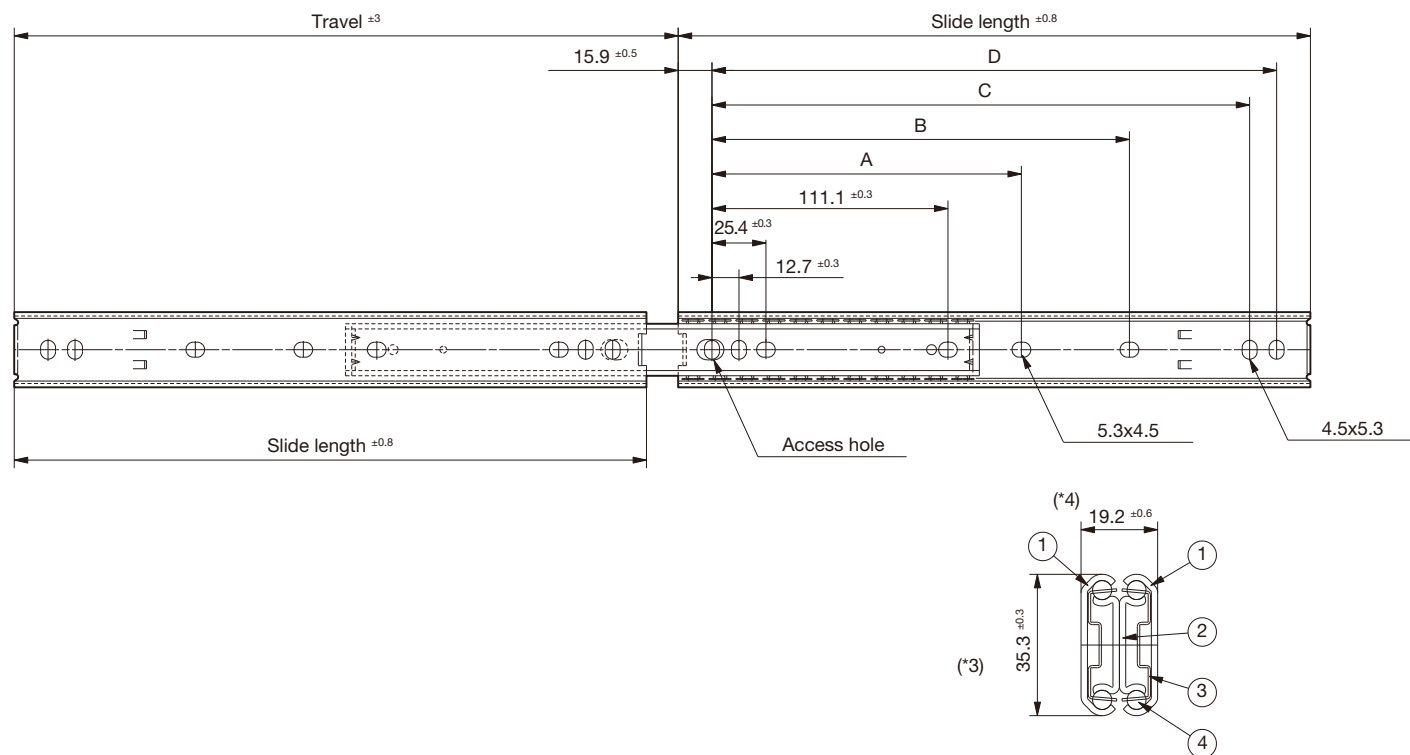
- JX Nippon Oil and Energy EPNOC Grease AP(N) 2

<Surface treatment>

- Part numbers (1) (2): Electrogalvanizing (trivalent bright chromate); however, U31 is stainless steel and therefore unplated.

<Other>

- As special order specifications, we can also manufacture the quiet movement type (3531M) and the closing/draw-out hold-detent mechanism type among others.



Part number	Slide length (mm)	Travel (mm)	Mounting hole (mm) ± 0.3 mm				Load capacity (N/pair)	Product weight (kg/piece)	Quantity in package (pieces)
			A	B	C	D			
12	304.8	326	-	149.2	260.3	273.0	431	0.63	20
14	355.6	377	-	200.0	311.1	323.8	451	0.75	20
16	406.4	428	-	250.8	361.9	374.6	451	0.85	20
18	457.2	479	212.7	301.6	412.7	425.4	471	0.96	20
20	508.0	529	238.1	352.4	463.5	476.2	451	1.07	20
22	558.8	580	263.5	403.2	514.3	527.0	441	1.18	20
24	609.6	631	288.9	454.0	565.1	577.8	422	1.28	10
26	660.4	682	314.3	504.8	615.9	628.6	412	1.41	10
28	711.2	732	339.7	555.6	666.7	679.4	402	1.50	10

* For special sizes, contact our sales staff.

* Changes may be made without notice for improved quality, environment, and safety, without affecting function or mounting.

(*1) The SUS model (U31) material is SUS304 for (1) to (4).

(*2) The SUS model (U31) plate thickness is t: 1.5 for (1) to (2).

(*3) The SUS model height is 35.1 mm

(*4) The SUS model thickness is 19.0 mm

ORDER OK! For requests concerning special sizes or specification changes etc., contact our sales staff.

Product number (product name) composition	Model name	Part number
	3531	- 12



<Features>

- The inner member can be disconnected through disconnect spring operation. [Caution]
 - Do not insert the disconnected inner member into another rail. (It may lead to poor operation.)
- Three types of disconnect springs are available, with differing lock methods at closing.
- Standard-use 35-mm sized slide rail.
- Because the lock mechanism acts at closing, the drawn-out rail is locked and the inner member can be easily reinserted.

<Recommended screws>

- M4 binding head screw

<Grease>

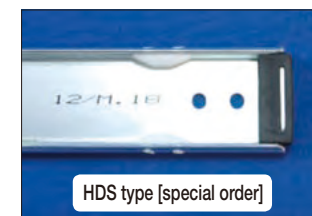
- JX Nippon Oil and Energy EPNOC Grease AP(N) 2

<Surface treatment>

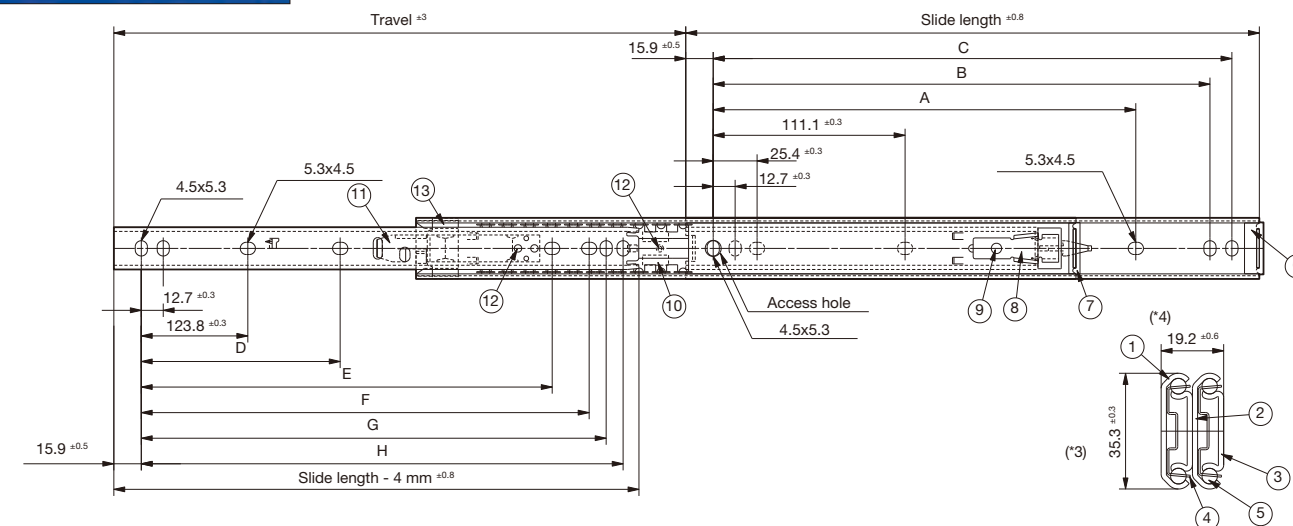
- Part numbers (1) (2) (3) (8) (9): Electrogalvanizing (trivalent bright chromate); however, U35 is stainless steel and therefore unplated.

Selecting a disconnect spring
Stopper takes effect at draw-out, and is manually released at inner disconnect. Lock release method at closing can be selected by disconnect spring type. As well, the C2 and C3 types are standard products.

Type	Lock release method
C2	Manual release <Standard>
C3	Automatic release (release and closing without spring operation) <Standard>
C4	Hold-detent (release and closing upon slight pressure without spring operation)



[Special order] Plastic and ball-lock closing stopper type [HDS] is also available. Please inquire for details.



Part number	Slide length (mm)	Travel (mm)	Mounting hole (mm) ± 0.3 mm								Load capacity (N/pair)	Product weight (kg/piece)	Quantity in package (pieces)
			A	B	C	D	E	F	G	H			
12(A)	304.8	327	-	260.3	273.0	-	-	-	260.3	273.0	431	0.59	20
14(A)	355.6	378	-	311.1	323.8	-	-	298.4	311.1	323.8	451	0.69	20
16(A)	406.4	429	250.8	361.9	374.6	-	-	349.2	361.9	374.6	451	0.80	20
18(A)	457.2	480	301.6	412.7	425.4	212.7	-	400.0	412.7	425.4	471	0.90	20
20(A)	508.0	530	352.4	463.5	476.2	238.1	365.1	450.8	463.5	476.2	451	1.00	20
22(A)	558.8	581	403.2	514.3	527.0	263.5	415.9	501.6	514.3	527.0	441	1.11	20
24(A)	609.6	632	454.0	565.1	577.8	288.9	466.7	552.4	565.1	577.8	422	1.21	10
26(A)	660.4	683	504.8	615.9	628.6	314.3	517.5	603.2	615.9	628.6	412	1.31	10
28(A)	711.2	734	555.6	666.7	679.4	339.7	568.3	654.0	666.7	679.4	402	1.41	10

* For special sizes, contact our sales staff.

* Changes may be made without notice for improved quality, environment, and safety, without affecting function or mounting.

(*1) The SUS model (U35) material is SUS304 for (1) to (5) and (8) and SUSXM-7 for (9) and (12).

(*2) The SUS model (U35) plate thickness is t: 1.5 for (1) to (3).

(*3) The SUS model height is 35.1 mm

(*4) The SUS model thickness is 19.0 mm

ORDER OK! For requests concerning special sizes or specification changes etc., contact our sales staff.

Product number (product name) composition	Model name	Part number	Type of spring
	3535-	12 (A)	*A is attached to SUS materials.

Medium duty type

Medium duty type



<Features>

- Dual overtravel slide rail, with reinforced load capacity performance.
- Heavy-duty slide rail with 1,000N or higher load capacity.

<Recommended screws>

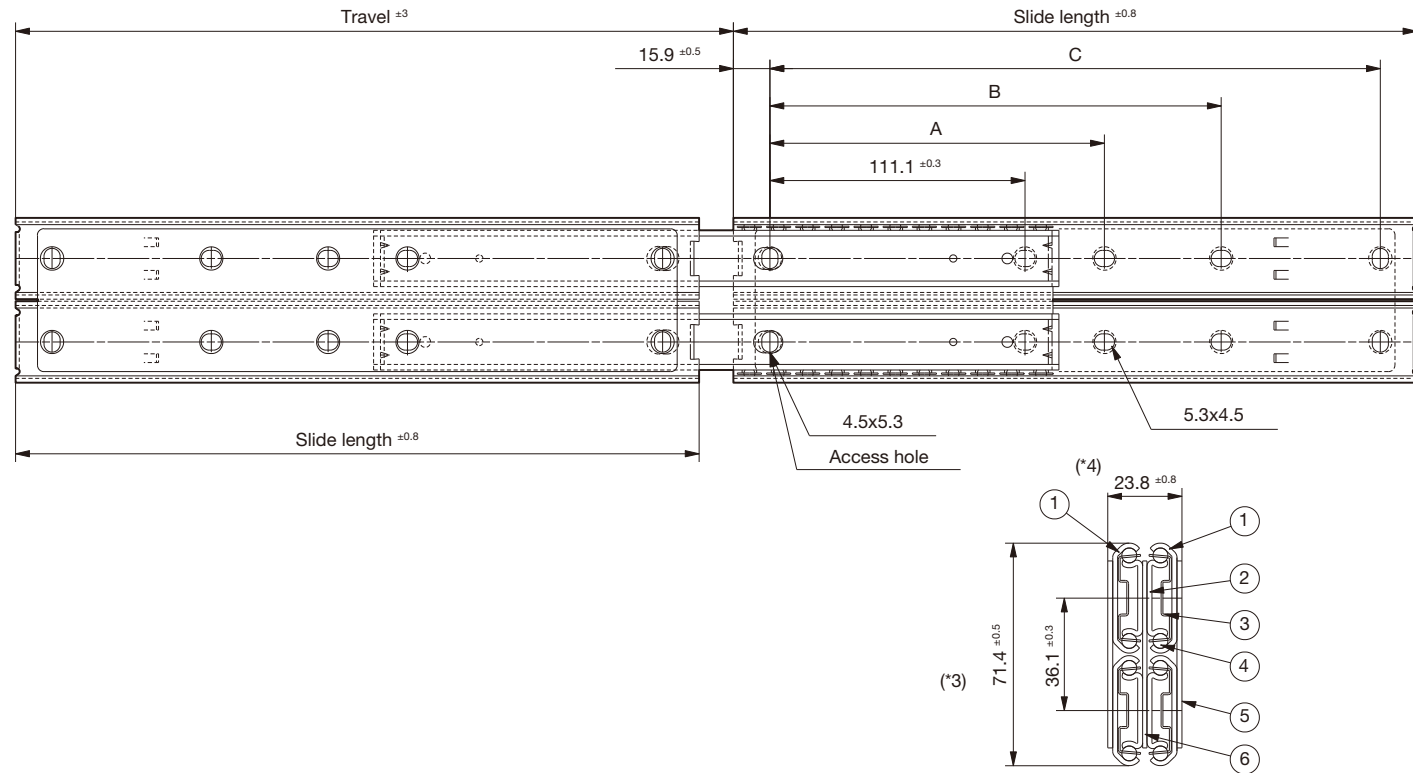
- M4 truss head screw or binding head screw

<Grease>

- JX Nippon Oil and Energy EPNOC Grease AP(N) 2

<Surface treatment>

- Part numbers (1) (2) (5) (6): Electrogalvanizing (trivalent bright chromate); however, U51 is stainless steel and therefore unplated.



Part number	Slide length (mm)	Travel (mm)	Mounting hole (mm) ± 0.3 mm			Load capacity (N/pair)	Product weight (kg/piece)	Quantity in package (pieces)
			A	B	C			
12	304.8	326	-	149.2	273.0	1,059	1.89	8
14	355.6	377	-	200.0	323.8	1,079	2.19	8
16	406.4	428	-	250.8	374.6	1,079	2.52	8
18	457.2	479	212.7	301.6	425.4	1,089	2.84	8
20	508.0	529	238.1	352.4	476.2	1,098	3.16	8
22	558.8	580	263.5	403.2	527.0	1,089	3.50	8
24	609.6	631	288.9	454.0	577.8	1,059	3.84	4
26	660.4	682	314.3	504.8	628.6	1,049	4.19	4
28	711.2	732	339.7	555.6	679.4	1,030	4.52	4

Number	Part name	Material (*1)	Remark (*2)
①	Cabinet member	SPCC	t: 1.6
②	Drawer member	SPCC	t: 1.6
③	Center member	SPCC	t: 1.6
④	Ball retainer	SECC	t: 0.6
⑤	Ball	SWCH	3/16"
⑥	Outer plate	SPCC	t: 1.6
⑥	Inner plate	SPCC	t: 1.4

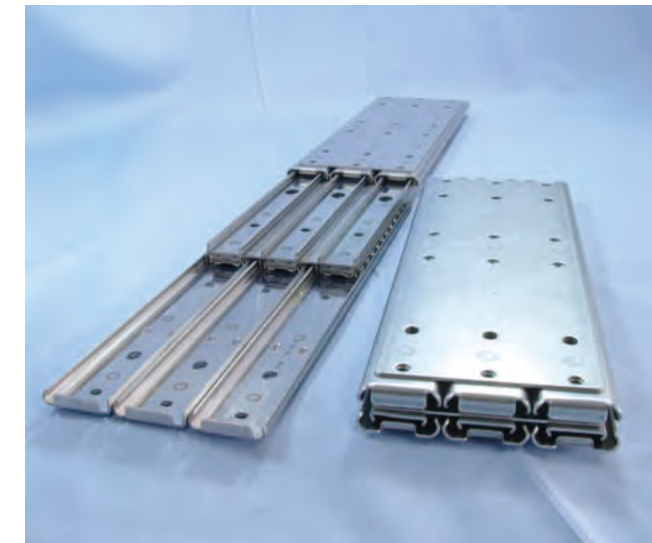
* For special sizes, contact our sales staff.

* Changes may be made without notice for improved quality, environment, and safety, without affecting function or mounting.

- (*1) The SUS model (U51) material is SUS304 for (1) to (6).
- (*2) The SUS model (U51) plate thickness is t: 1.5 for (1) to (3) and (5) to (6).
- (*3) The SUS model height is 71.2 mm
- (*4) The SUS model thickness is 23.5 mm

ORDER OK! For requests concerning special sizes or specification changes etc., contact our sales staff.

Product number (product name) composition	Model name	Part number
	3551	- 12



<Features>

- Triple overtravel slide rail, with reinforced load capacity performance.
- Heavy-duty slide rail with 1,600N or higher load capacity.

<Recommended screws>

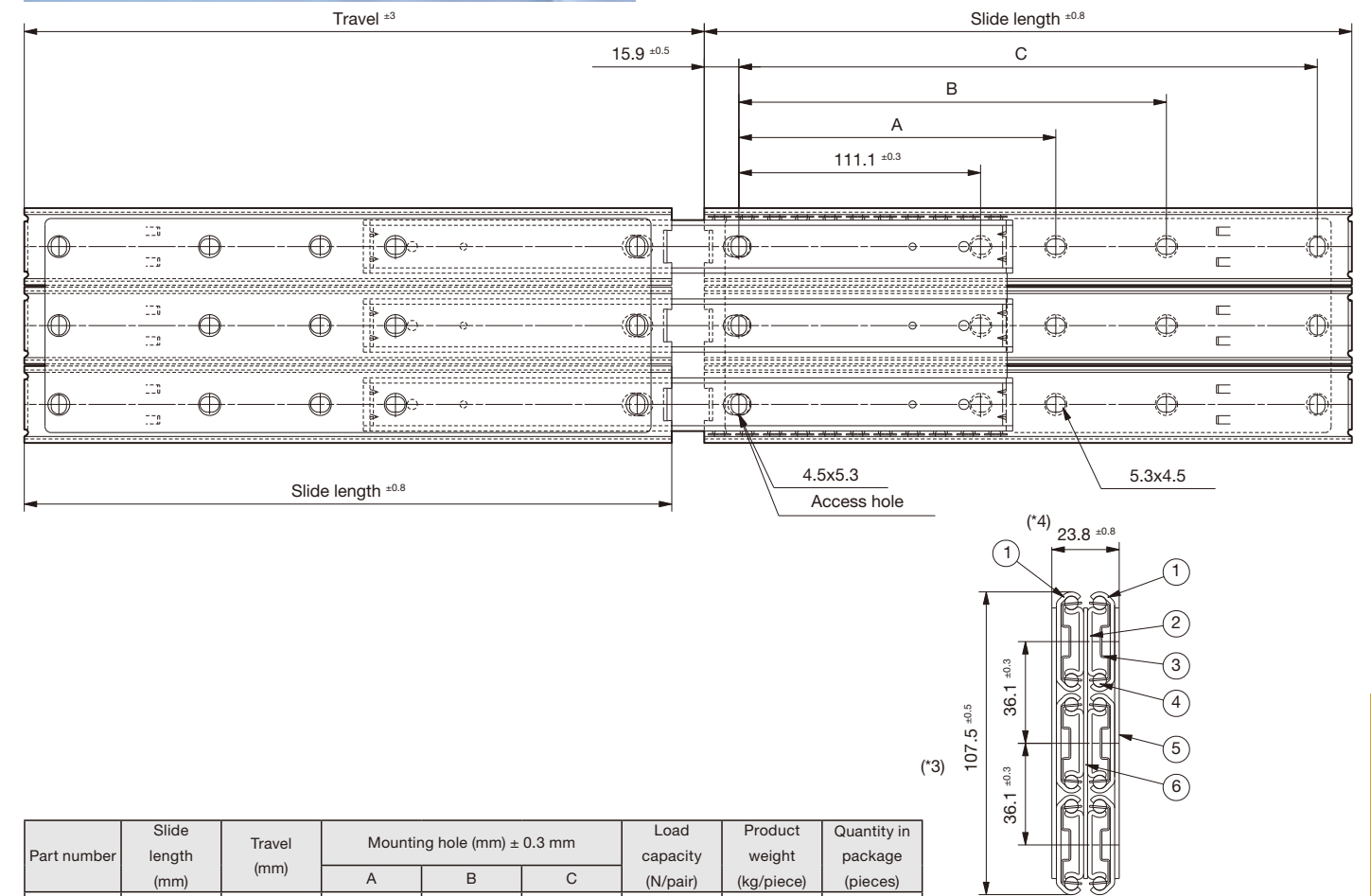
- M4 truss head screw or binding head screw

<Grease>

- JX Nippon Oil and Energy EPNOC Grease AP(N) 2

<Surface treatment>

- Part numbers (1) (2) (5) (6): Electrogalvanizing (trivalent bright chromate); however, U53 is stainless steel and therefore unplated.



Part number	Slide length (mm)	Travel (mm)	Mounting hole (mm) ± 0.3 mm			Load capacity (N/pair)	Product weight (kg/piece)	Quantity in package (pieces)
			A	B	C			
12	304.8	326	-	149.2	273.0	1,687	2.87	4
14	355.6	377	-	200.0	323.8	1,706	3.36	4
16	406.4	428	-	250.8	374.6	1,706	3.88	4
18	457.2	479	212.7	301.6	425.4	1,716	4.36	4
20	508.0	529	238.1	352.4	476.2	1,746	4.93	4
22	558.8	580	263.5	403.2	527.0	1,746	5.39	4
24	609.6	631	288.9	454.0	577.8	1,706	5.91	2
26	660.4	682	314.2	504.8	628.6	1,687	6.42	2
28	711.2	732	339.7	555.6	679.4	1,657	6.95	2

Number	Part name	Material (*1)	Remark (*2)
①	Cabinet member	SPCC	t: 1.6
②	Drawer member	SPCC	t: 1.6
③	Center member	SPCC	t: 1.6
④	Ball retainer	SECC	t: 0.6
⑤	Ball	SWCH	3/16"
⑥	Outer plate	SPCC	t: 1.6
⑥	Inner plate	SPCC	t: 1.4

* For special sizes, contact our sales staff.

* Changes may be made without notice for improved quality, environment, and safety, without affecting function or mounting.

- (*1) The SUS model (U53) material is SUS304 for (1) to (6).
- (*2) The SUS model (U53) plate thickness is t: 1.5 for (1) to (2) and (5) to (6).
- (*3) The SUS model height is 107.3 mm
- (*4) The SUS model thickness is 23.5 mm

ORDER OK! For requests concerning special sizes or specification changes etc., contact our sales staff.

Product number (product name) composition	Model name	Part number
	3553	- 12



<Features>

- 63-mm width heavy-duty overtravel type rail.
- Includes a simple catch mechanism at closing.
- Includes a sequential mechanism (a mechanism which extends the rail in order) at draw-out, reinforcing the rail load capacity.

<Recommended screws>

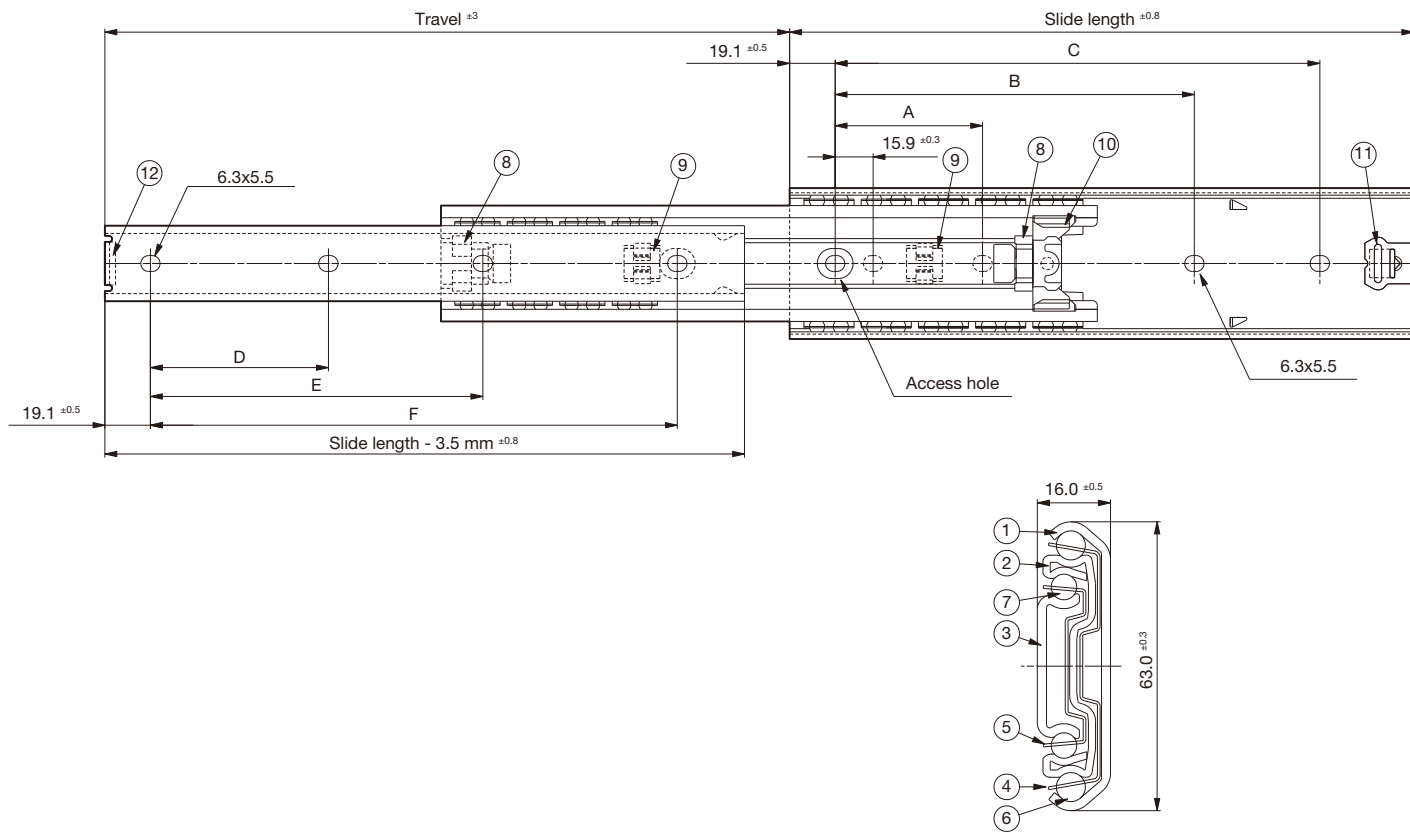
- M5 truss head screw or binding head screw

<Grease>

- JX Nippon Oil and Energy EPNOC Grease AP(N) 2

<Surface treatment>

- Part numbers (1) (2) (3): Electrogalvanizing (trivalent bright chromate)



Part number	Slide length (mm)	Travel (mm)	Mounting hole (mm) ± 0.3 mm						Load capacity (N/pair)	Product weight (kg/piece)	Quantity in package (pieces)
			A	B	C	D	E	F			
12A	304.8	330	76.2	190.5	241.3	76.2	177.8	254.0	785	0.97	12
14A	355.6	381	88.9	215.9	292.1	101.6	203.2	304.8	883	1.15	12
16A	406.4	432	127.0	241.3	342.9	127.0	228.6	355.6	981	1.32	12
18A	457.2	483	127.0	292.1	393.7	127.0	279.4	406.4	1,128	1.49	12
20A	508.0	533	152.4	317.5	444.5	152.4	304.8	457.2	1,226	1.67	12
22A	558.8	584	177.8	342.9	495.3	177.8	330.2	508.0	1,226	1.85	12
24A	609.6	635	177.8	393.7	546.1	177.8	381.0	558.8	1,226	2.01	6
26A	660.4	686	203.2	419.1	596.9	203.2	406.4	609.6	1,324	2.19	6
28A	711.2	737	228.6	444.5	647.7	228.6	431.8	660.4	1,226	2.37	6
30A	762.0	787	254.0	489.9	698.5	254.0	457.2	711.2	981	2.55	6

Number	Part name	Material	Remark
①	Outer member	SPCC	t: 2.0
②	Center member	SPCC	t: 1.6
③	Inner member	SPCC	t: 2.0
④	Ball retainer	SECC	t: 0.6
⑤	Ball retainer	SECC	t: 0.6
⑥	Ball	SWCH	1/4"
⑦	Ball	SWCH	7/32"
⑧	Ball retainer bumper	TPU	-
⑨	Ball retainer bumper	TPU	-
⑩	Plastic for sequential movement	POM	-
⑪	Catching bumper	TPU	-
⑫	Felt bumper	Felt	-

* For special sizes, contact our sales staff.

* Changes may be made without notice for improved quality, environment, and safety, without affecting function or mounting.

ORDER OK! For requests concerning special sizes or specification changes etc., contact our sales staff.

Product number (product name) composition	Model name	Part number
	C630	- 12A



<Features>

- Heavy-duty overtravel type rail.
- Carriage bolt can be used on the outer member side.

<Recommended screws>

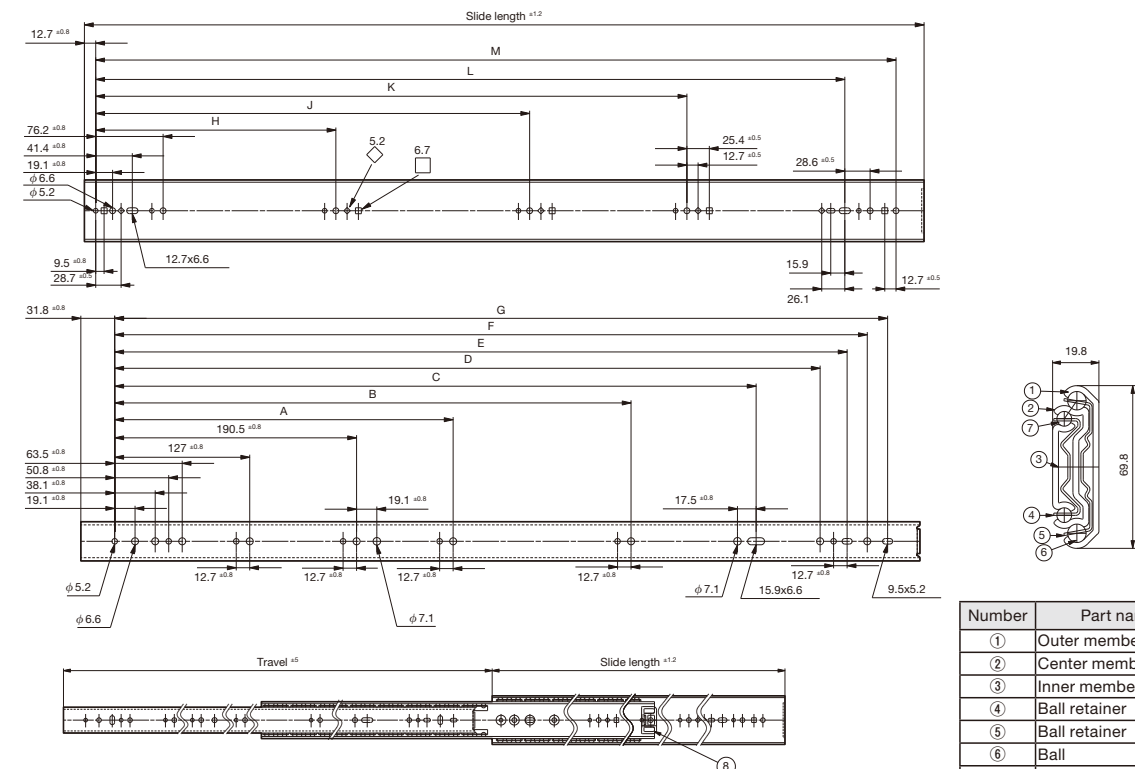
- M5, M6 truss head screws or binding head screws (depending on the mounting hole used)
- M6 carriage bolt can be used on the outer member side (depending on the mounting hole used)

<Grease>

- JX Nippon Oil and Energy EPNOC Grease AP(N) 2

<Surface treatment>

- Part numbers (1) (2) (3): Electrogalvanizing (trivalent bright chromate)



Part number	Slide length (mm)	Travel (mm)	Mounting hole (mm) ± 0.8mm											Load capacity (N/pair)	Product weight (kg/piece)	Quantity in package (pieces)(*2)	
			A	B	C	D	E	F	G	H	J	K	L				M
20	508.0	508	-	-	296.9	357.1	382.5	401.6	420.6	-	-	-	406.4	463.6	(*)	2.40	6
22	558.8	559	-	-	347.7	407.9	433.3	452.4	471.4	-	-	-	457.2	514.4	(*)	2.65	6
24	609.6	610	-	-	398.5	458.7	484.1	503.2	522.2	-	-	-	508.0	565.2	(*)	2.90	6
26	660.4	660	-	-	449.3	509.5	534.9	554.0	573.0	-	-	-	558.8	616.0	(*)	3.10	6
28	711.2	711	-	-	500.1	560.3	585.7	604.8	623.8	-	-	-	609.6	666.8	(*)	3.50	4
30	762.0	762	368.3	-	550.9	611.1	636.5	655.6	674.6	234.9	-	501.7	660.4	717.6	(*)	3.60	4
32	812.8	813	368.3	-	601.7	661.9	687.3	706.4	725.4	234.9	393.7	552.5	711.2	768.4	(*)	3.85	4
34	863.6	864	368.3	469.9	652.5	712.7	738.1	757.2	776.2	234.9	419.1	603.3	762.0	819.2	(*)	4.05	4
36	914.4	914	368.3	520.7	703.3	763.5	788.9	807.9	827.0	234.9	444.5	654.1	812.8	870.0	(*)	4.30	4
38	965.2	965	368.3	520.7	754.1	814.3	839.7	858.8	877.8	234.9	469.9	704.9	863.6	920.8	(*)	4.55	4

* For special sizes, contact our sales staff.

* Changes may be made without notice for improved quality, environment, and safety, without affecting function or mounting.

(*1) As of October 2014, durability tests for 1765N (180 kg) or higher are in process.

(*2) Quantity in package is scheduled.

ORDER OK! For requests concerning special sizes or specification changes etc., contact our sales staff.

Product number (product name) composition	Model name	Part number
	C690	- 20



<Features>

- Heavy-duty linear motion slide.
- Inner member moves linearly within outer member.

<Recommended screws>

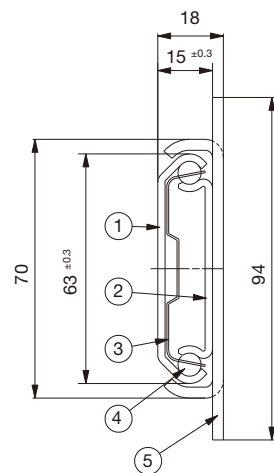
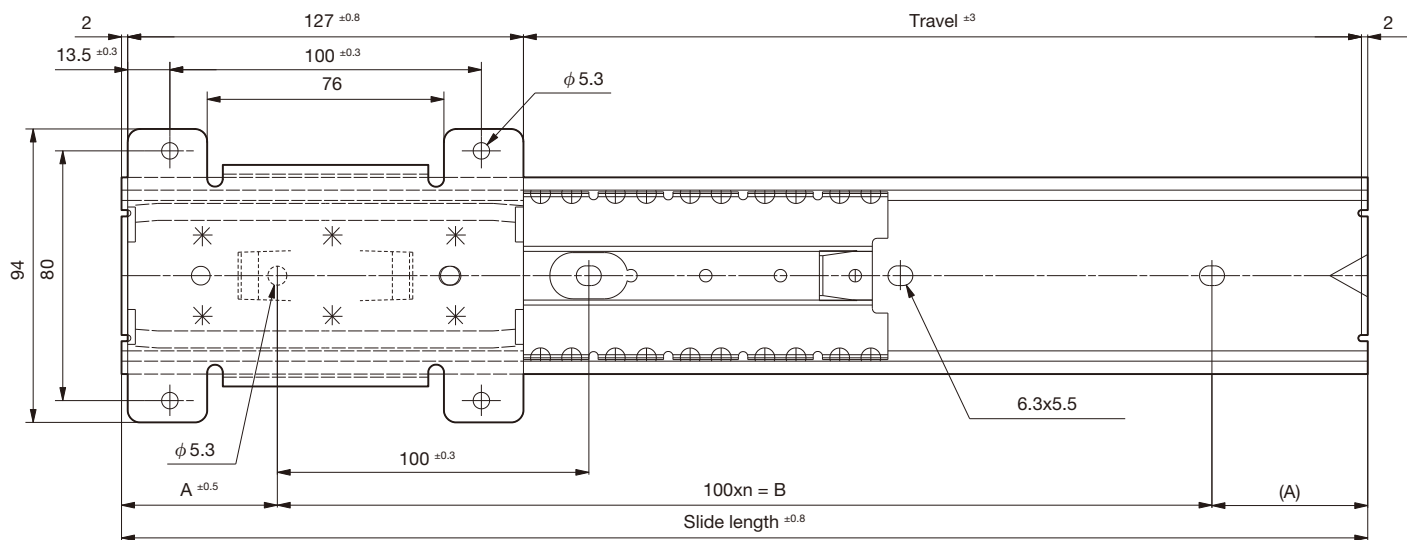
- M5 truss head screw or binding head screw

<Grease>

- JX Nippon Oil and Energy EPNOC Grease AP(N) 2

<Surface treatment>

- Part numbers (1) (2) (5): Electrogalvanizing (trivalent bright chromate)



Part number	Slide length (mm)	Travel (mm)	Mounting hole (mm)			Product weight (kg/piece)
			A	n	B ±0.3	
300	300	169	50	2	200	0.86
350	350	219	25	3	300	0.94
400	400	269	50	3	300	1.02
450	450	319	25	4	400	1.09
500	500	369	50	4	400	1.16
550	550	419	25	5	500	1.25
600	600	469	50	5	500	1.33
650	650	519	25	6	600	1.40
700	700	569	50	6	600	1.47
750	750	619	25	7	700	1.55
800	800	669	50	7	700	1.63
850	850	719	25	8	800	1.70
900	900	769	50	8	800	1.77
950	950	819	25	9	900	1.85
1000	1000	869	50	9	900	1.92

Number	Part name	Material	Remark
①	Outer member	SPCC	t: 2.0
②	Inner member	SPCC	t: 2.0
③	Ball retainer	SECC	t: 0.6
④	Ball	SWCH	1/4"
⑤	Mounting plate	SPHC-P	t: 3.0

* For special sizes, contact our sales staff.

* Changes may be made without notice for improved quality, environment, and safety, without affecting function or mounting.

ORDER OK!

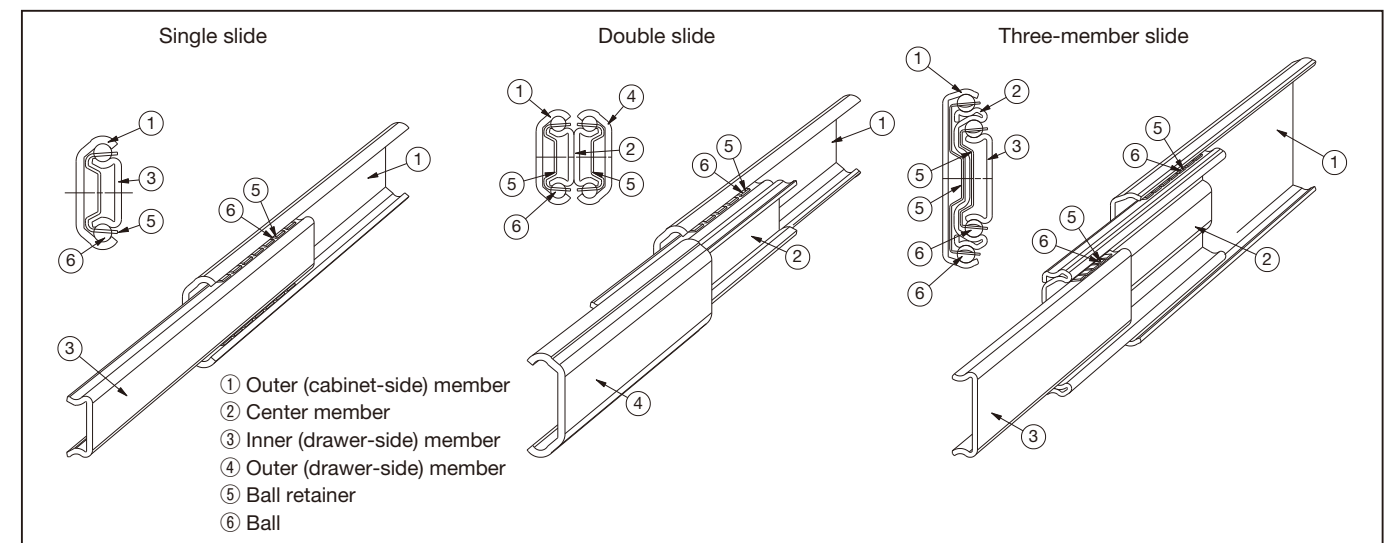
For requests concerning special sizes or specification changes etc., contact our sales staff.

Product number (product name) composition	Model name	Part number
	6315	- 300

Slide Rail Terminology

Term	Explanation
Outer member	The C-shaped member located on the outermost side of the slide rail main cross section. Because it is usually fixed to the cabinet side in mounting, it is also called the cabinet member (fixed-side member). Conversely, the member on the drawer side (travel side) is called the drawer member.
Access hole	The hole used for screws and tools when screw-fastening the slide rail.
Inner member	The member located on the innermost side of the slide rail main cross section. Because it is usually mounted on the drawer side (travel side), it is also called the drawer member.
Bracket (removable type)	The L-shaped bracket with a removable function for removing from the slide rail. It is usually mounted on the drawer side, allowing the slide rail to be removed with a lever or clip.
Catch (mechanism)	The hold-in mechanism used when the slide rail is fully closed. Plastic and spring types are available.
Sequential mechanism	The mechanism of the three-member slide (including the double slide) which opens and closes it in the order of center member to drawer member at full open and drawer member to center member at full close. <The rail life is extended by moving it with the sequential mechanism. >
Quiet movement type	A rail with an embedded quiet movement component of plastic or felt, in order to reduce the sound of metal parts making contact when fully opening or closing the slide rail.
Single slide	A slide rail composed of outer and inner members. It is also called a two-member slide. (See Fig. 1)
Three-member slide	A slide rail composed of outer, inner, and center members. (See Fig. 1)
Double slide	A slide rail composed of two layered and fixed single slides. It is one type of three-member slide. (See Fig. 1)
Center member	The member located between the outer member (cabinet member) and inner member (drawer member) of a three-member slide (including double slide) main cross section. It is also called an inter-member or intermediate member.
Load capacity	The load which can be carried when placed at the center of the inner member and mounting width (typically 400 mm) and operated back and forth 10,000 times. <The definition of load capacity may vary among manufacturers. Exercise due caution. For details on our load capacity, see pages 5-6 (Load capacity). >
Travel (T)	The travel distance when the slide rail is fully extended, also called stroke. With reference length "L", there are three types of travel: equal travel (T=L), overtravel (T>L), and undertravel (T<L).
Flipper Lock	The lock part which keeps the center member out at draw-out. As well, at closing, the lock is released when the inner member is within the center member.
Brake-stop	The slide rail stops due to frictional resistance. It is also called friction stop. <The slide rail can be disconnected by pulling (or pushing) harder. >
Ball creep	Ball creep means that balls become misaligned. The slide rail balls are held by the ball retainer; normally, if the inner member moves 2, the ball retainer moves 1. <That is, they have a 2:1 relationship. > This refers to the collapse of this regularity, when the ball retainer is not in its original location.
Ball lock mechanism	The hold-detent mechanism at draw-out and closing. A protrusion is created on the ball rolling surface of the outer member, and the ball passes the protrusion to create a simple lock.
Lead-in guide	The part which guides the insertion of the drawer member (travel-side member).
Linear motion type	The type in which the inner member always moves within the outer member.
Two-way travel	A rail which can travel both forward and in reverse. It is also called 2Way travel.

[Fig. 1] Slide rail configuration



Access hole

Some products have access holes (as in Photo 1) in the slide rail ball retainer. This access hole is necessary when mounting bolts in the outer member, etc. The hole may be sharp-edged. Take care not to touch it, in order to avoid unexpected injury.

As well, use this access hole when mounting screws. Be careful, as deformation of the ball retainer during mounting will affect the movement and function of the slide rail.



[Photo 1] Access hole

Mounting bolt

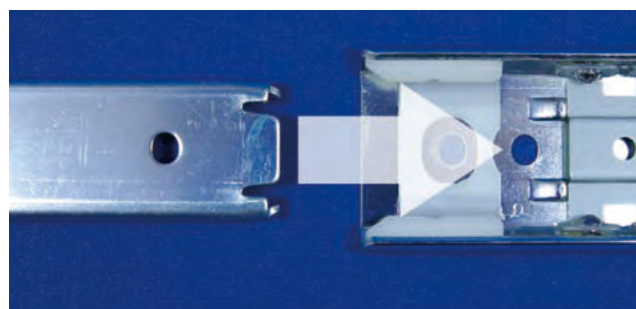
Use the recommended screws when mounting the slide rail.

Be careful, as if the slide rail is mounted with other than the recommended screws, they may interfere with the ball retainer or other parts and impede slide rail motion.

Disconnect type rail

The slide rails are checked and adjusted rail by rail. Do not combine a removed inner member with another rail. (It may affect operation and function.)

As well, when reinserting the inner member, insert it perfectly straightly (as in Photo 2). (Depending on the model, a lead-in guide may be attached. Insert slowly following the guide component.) Be careful, as if the member is forced in while bent, it may deform the ball retainer and impede motion.



[Photo 2] Cautions for insertion

The following main materials are used for our slide rails.

Metals

SPCC	Cold-reduced carbon steel plates. Used in member material.
SPHC	Hot-rolled mild steel plates. Used in t =3.0 mounting plates, etc.
SECC	Electrogalvanized steel plate. Chrome-free type used as our steel rail ball retainer material.
SUS304	One of the most popular types of stainless steel. Used in members, ball retainers, and balls.
SUS440C	Used as ball material in some stainless steel rails. Can achieve high hardness through heat treatment.
SUSXM-7	Material similar to SUS304. Used in header parts such as rivets.
SWCH	Carbon steel for cold heading-wire. Used as ball and hollow rivet material.
SUJ-2	Bearing ball (high-carbon chrome bearing steel). Used as ball material in the U1000 series.

Plastics

PA	Polyamide. Excellent shock resistance and chemical resistance. Also strong over a wide temperature range.
POM	Polyacetal (polyoxymethylene). Excellent wear resistance and smoothness. Continuous operating temperature is approx. 105°C.
TPU	Polyurethane elastomer. Excellent wear resistance, heat resistance (approx. 100°C), oil resistance, rubber elasticity, and flexibility.
Felt	Wool. Mainly pasted to rail stoppers for use as quiet movement material.

Greases

We use industrial grease as lubricant. With typical use, there should be no need for regreasing.

The following two grease types are used with the rails in our catalog.

EPNOC AP (N)	Universal industrial extreme pressure grease. Soap base uses lithium soap, providing characteristics such as water resistance and heat resistance. Possible operating temperature range as made public by the manufacturer: -20 to 125°C http://www.noe.jx-group.co.jp/english/products/lubricants/e71_enprlu_grease.html#product_0
G-03031X	Lithium soap grease with excellent low torque. Used with compact rails. Possible operating temperature range as made public by the manufacturer: -50 to 150°C

Other special greases (high-temperature use, low-temperature use, vacuum use, food machinery use, or greaseless) are available as special orders upon customer request. For details, please contact our Technology Services Group.

Surface treatment

Steel product members are electrogalvanized (trivalent bright chromate plated). Our products comply with the RoHS Directive as standard, without special designation required. Special specifications such as colored chromate or nitriding treatment are also available.

Disconnect spring operation method

There are several types of disconnect spring.
Select the type which best accommodates your desired motion.

Disconnect method

In any case, the inner member can be disconnected by pushing the disconnect spring.



[Photo 1] Disconnect method



[Photo 2] C2 (lock type)

The rail can be closed by pushing the disconnect spring.



[Photo 3] C3 (automatic release type)

Closing can be done with minimal force.

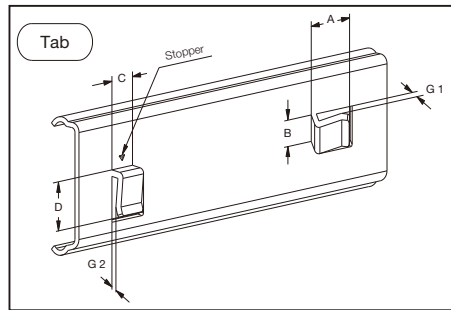


[Photo 4] C4 (semi-automatic release type)

Closing can be done with somewhat greater force than C3

Tab/pocket processing

For mass-produced products using slide rails in large quantity, the assembly time can be significantly reduced by adjusting the mounting method. The applicable series are as follows.



[Fig. 1] Tab diagram

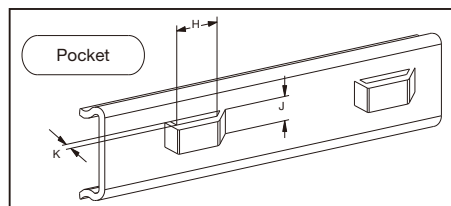
[Table 1] Tab/pocket dimensions

Model	A	B	C	D	H	J
3500	12.5	17.8	17.8	12.5	19.0	12.7
C350	12.5	17.8	17.8	12.5	19.0	10.5
550N	15.1	18.0	18.0	15.1	20.0	12.2

* Please consult us for tab/pocket clearance [Figs. 1 and 2 G1, G2, K].

* Excludes C358

* Other models may also be applicable.



[Fig. 2] Pocket diagram

C358 mounting and removal

The C358 series has been designed/developed for wooden furniture.
By using the attached bracket, it absorbs irregularities.
Note that the mounting direction is reversed.



[Photo 5] Cabinet side mounting

The bracket side for this product is the drawer side. Mount the inner member on the cabinet side. (Can be mounted with the rail closed)



[Photo 6] Bracket mounting

At mounting, put the lever protrusion near the rail depression and slide the drawer inward to fix it.

Japan Factory



INDONESIA Factory

SLIDE RAIL CATALOG