

ROTARY MOTION
PRODUCTS:
CAM FOLLOWERS

MAINTENANCE-FREE
THRUSTDISK™ SEALS

CR-BSE

Resist thrust loads and wear, prevent
contamination and achieve long-lasting,
maintenance-free operation

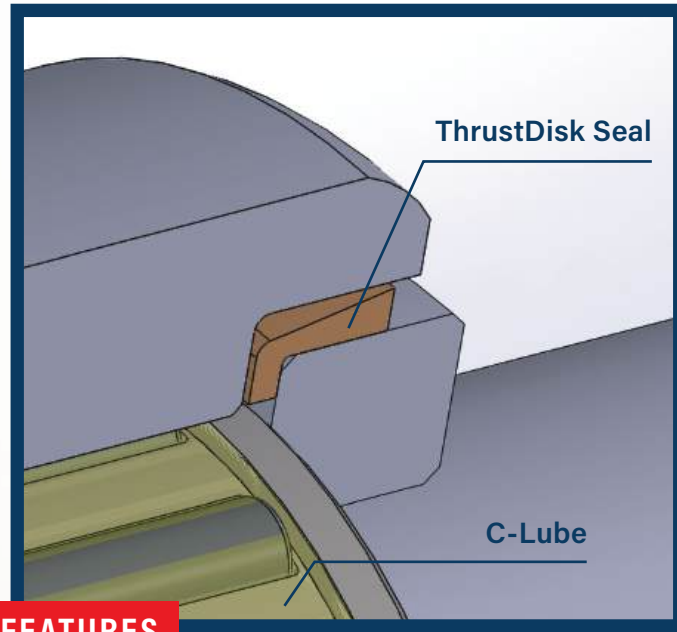


IKO

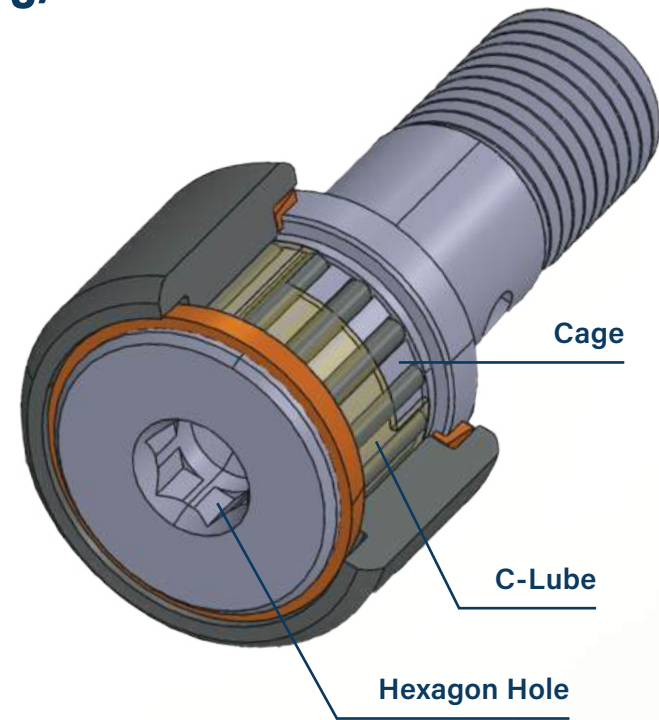
Innovation, Know-how & Originality



Our Latest Inch Series Cam Followers Combine Two IKO Innovations to Prevent Failure and Ensure a Long, Reliable Lifetime



FEATURES



IKO's CR...BSE Series cam followers are a versatile, reliable way to convert rotary motion to linear motion. Designed to eliminate the main factors that can cause bearings to fail, these heavy-duty cam followers feature two IKO innovations:

ThrustDisk™ seals, which slide into the outer ring's contact areas to handle axial loads caused by misalignment issues due to improper mounting. The seals also resist heat and contamination to improve bearing life.

C-Lube, a built-in system that slowly releases the right volume of lubricant to prevent maintenance errors and provide long-lasting smooth motion.

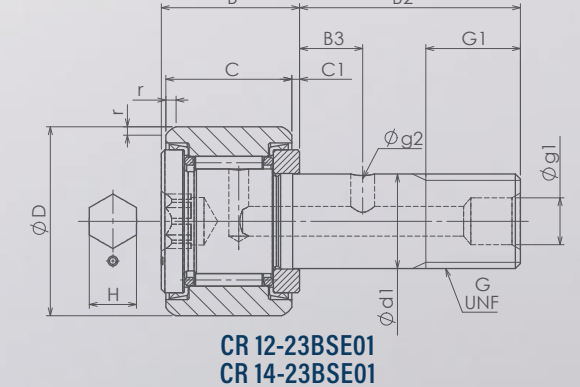
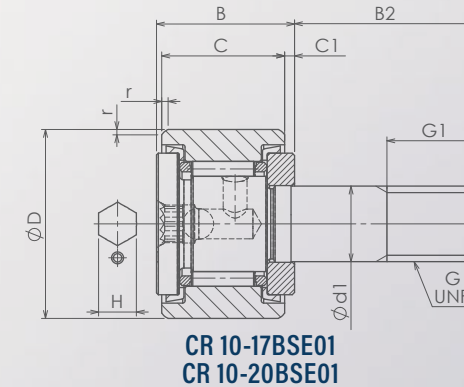
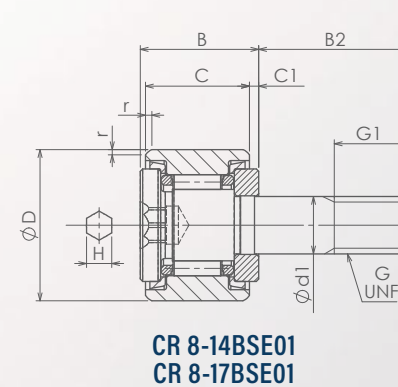
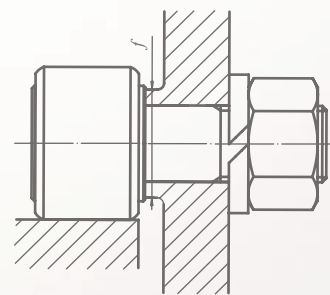
CR...BSE Inch Series cam followers also offer a low coefficient of friction, good rotational performance and easy mounting. Stud diameters range from 0.19 to 0.375 inches.

TOLERANCE	μm
Outside diameter of Outer Ring, D	0 / -25
Stud diameter, d1	+25 / 0
Width of Outer Ring, C	0 / -130

- Remarks
- For the maximum allowable static load, please contact IKO.
 - This product includes a hexagon nut. If the nut should become loose, use a spring washer, self-locking nut, etc.
 - A mounting hole with a tolerance class of F7 is recommended for mounting the stud. The mounting hole diameter should be prepared without play in the fit area, especially when shock loads are applied.
 - The operating temperature range is from -15 to 80°C. For continuous operation, below +60°C is recommended.
 - The allowable rotational speed is around $d1n=10000$.
 - When mounting, do not hit the cam followers directly with a hammer, etc. It may lead to rotation failure or cracking. To ensure normal rotation of the bearing, apply a 1% or more of the basic dynamic load rating at use. Never wash C-Lube Bearing with organic solvent and/or white kerosene which have the ability to remove fat, or leave the bearing in contact with these agents.



DIMENSIONS



d1	Mass (g)	BEARING NUMBER	BOUNDARY DIMENSIONS mm (in)													Radial Clearance μm	Basic Dynamic Load Rates C [N]	Basic Static Load Rates Co [N]	f mm	Max Mounting Torque Nm	Track Capacity ¹ N
			D	C	G (UNF)	G1	B (max)	B2	B3	C1	g1	g2	H	r							
4.826 (N/A)	9	CR 8-14BSE01 (CR 8BS/SG EQUIVALENT)	12.70 (1/2)	8.731 (1 1/32)	No. 10-32	6.350 (1/4)	10.2 (0.40)	12.70 (1/2)	N/A	0.794 (1/32)	N/A	N/A	3.175 (1/8)	0.397 (1/64)	3~17	2010	1780	8.334	1.4	2140	
4.826 (N/A)	11	CR 8-17BSE01 (CR 8-1BS/SG EQUIVALENT)	12.70 (1/2)	9.525 (3/8)	No. 10-32	6.350 (1/4)	10.9 (0.43)	15.875 (5/8)	N/A	0.794 (1/32)	N/A	N/A	3.175 (1/8)	0.397 (1/64)	3~17	2330	2140	8.334	1.4	2360	
6.350 (1/4)	19	CR 10-17BSE01 (CR 10BS/SG EQUIVALENT)	15.875 (5/8)	10.319 (13/32)	1/4-28	7.938 (5/16)	11.6 (0.46)	15.875 (5/8)	N/A	0.794 (1/32)	N/A	N/A	3.175 (1/8)	0.397 (1/64)	5~20	2970	3150	11.509	3.4	3210	
6.350 (1/4)	20	CR 10-20BSE01 (CR 10-1BS/SG EQUIVALENT)	15.875 (5/8)	11.112 (7/16)	1/4-28	7.938 (5/16)	12.5 (0.49)	19.050 (3/4)	N/A	0.794 (1/32)	N/A	N/A	3.175 (1/8)	0.397 (1/64)	5~20	3330	3650	11.509	3.4	3480	
9.525 (3/8)	36	CR 12-23BSE01 (CR 12BS/SG EQUIVALENT)	19.050 (3/4)	12.70 (1/2)	3/8-24	9.525 (3/8)	14.2 (0.56)	22.225 (7/8)	6.350 (1/4)	0.794 (1/32)	4.762 (3/16)	2.381 (3/32)	4.762 (3/16)	0.794 (1/32)	5~25	4200	5270	13.494	10.8	4500	
9.525 (3/8)	46	CR 14-23BSE01 (CR 14BS/SG EQUIVALENT)	22.225 (7/8)	12.70 (1/2)	3/8-24	9.525 (3/8)	14.2 (0.56)	22.225 (7/8)	6.350 (1/4)	0.794 (1/32)	4.762 (3/16)	2.381 (3/32)	4.762 (3/16)	0.794 (1/32)	5~25	4200	5270	15.081	10.8	5250	

¹ This is defined as the load which can be continuously applied without causing deformation or indentation on the mating member material when the outer ring makes contact with the mating track surface. Value when the mating surface hardness is 40HRC.

C-LUBE PERFORMANCE TEST

Lubrication can be maintained for long-term, maintenance-free operation.

Rotational Endurance Test

Test condition

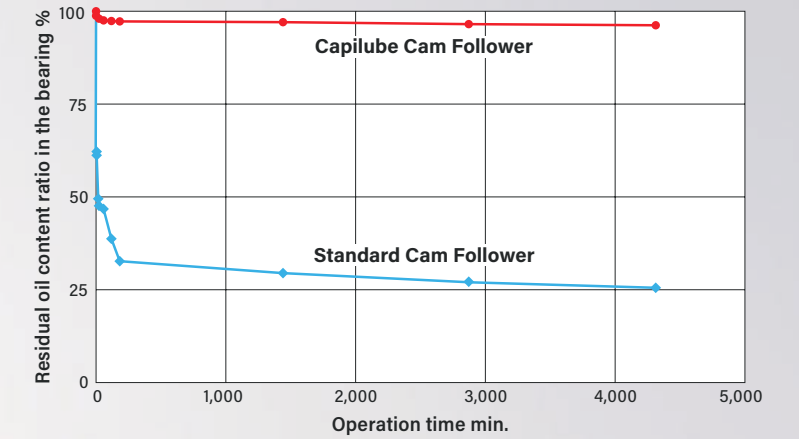
Test product

IKO Capilube Cam Follower: CF10/SG

IKO Standard Cam Follower: CF10

Rotational Speed: 1,000rpm

Ambient Temperature: Room Temperature



CR-BSE SERIES VARIATIONS

NAME	SHAPE OF STUD HEAD	ROLLER GUIDE METHOD	SEAL STRUCTURE	SHAPE OF OUTER RING OUTSIDE SURFACE	IDENTIFICATION NUMBER	SIZE																	
						8	8-1	10	10-1	12	14	16	18	20	22	24	26	28	30	32	36		
Inch Series Cam Followers CR	With Hexagon Socket	Cage	Shield Type	Crowned outer ring	CR...BR	○	○	○	○	○	○	○	○	○	○	○	○	○	○	○	○		
				Cylindrical outer ring	CR...B	○	○	○	○	○	○	○	○	○	○	○	○	○	○	○	○	○	
			Sealed Type	Crowned outer ring	CR...BUUR	○	○	○	○	○	○	○	○	○	○	○	○	○	○	○	○	○	
				Cylindrical outer ring	CR...BUU	○	○	○	○	○	○	○	○	○	○	○	○	○	○	○	○	○	
		Full Complement	Shield Type	Crowned outer ring	CR...VBR	○	○	○	○	○	○	○	○	○	○	○	○	○	○	○	○	○	
				Cylindrical outer ring	CR...VB	○	○	○	○	○	○	○	○	○	○	○	○	○	○	○	○	○	
			Sealed Type	Crowned outer ring	CR...VBUUR	○	○	○	○	○	○	○	○	○	○	○	○	○	○	○	○	○	
				Cylindrical outer ring	CR...VBUU	○	○	○	○	○	○	○	○	○	○	○	○	○	○	○	○	○	
Sealed Type with Integrated Thrust Washer	Crowned outer ring	CR...VBSR	○	○	○	○	○	○	○	○	○	○	○	○	○	○	○	○	○	○			
	Cylindrical outer ring	CR...VBS	○	○	○	○	○	○	○	○	○	○	○	○	○	○	○	○	○	○			
NEW Maintenance-Free Inch Series Cam Followers CR	With Hexagon Socket	Cage	Sealed Type with Integrated Thrust Washer	Cylindrical outer ring	CR...BSE	○	○	○	○	○	○	○	○	○	○	○	○	○	○	○	○	COMING SOON	

IKO INTERNATIONAL, INC. (USA)

East Coast Operations

91 Walsh Dr., Parsippany, NJ 07054

Phone: 973-402-0254

Toll Free: 800-922-0337

Fax: 973-402-0441

Email: eco@ikonet.co.jp

Midwest Operations

101 Mark St., Unit G, Wood Dale, IL 60191

Phone: 630-766-6464

Toll Free: 800-323-6694

Fax: 630-766-6869

Email: mwo@ikonet.co.jp

West Coast Operations

9830 Norwalk Blvd., Suite 198,
Santa Fe Springs, CA 90670

Phone: 562-941-1019

Toll Free: 800-252-3665

Fax: 562-941-4027

Email: wco@ikonet.co.jp

Southwest Operations

6191 N. State Highway 161, Suite 440
Irving, TX 75038

Phone: 972-925-0444

Toll Free: 800-295-7886

Fax: 972-707-0385

Email: swo@ikonet.co.jp

West Coast - Silicon Valley Sales Office

1500 Wyatt Dr., Suite 10
Santa Clara, CA 95054

Phone: 408-492-0240

Toll Free: 800-252-3665

Fax: 408-492-0245

Email: wco@ikonet.co.jp

Southeast Sales Office

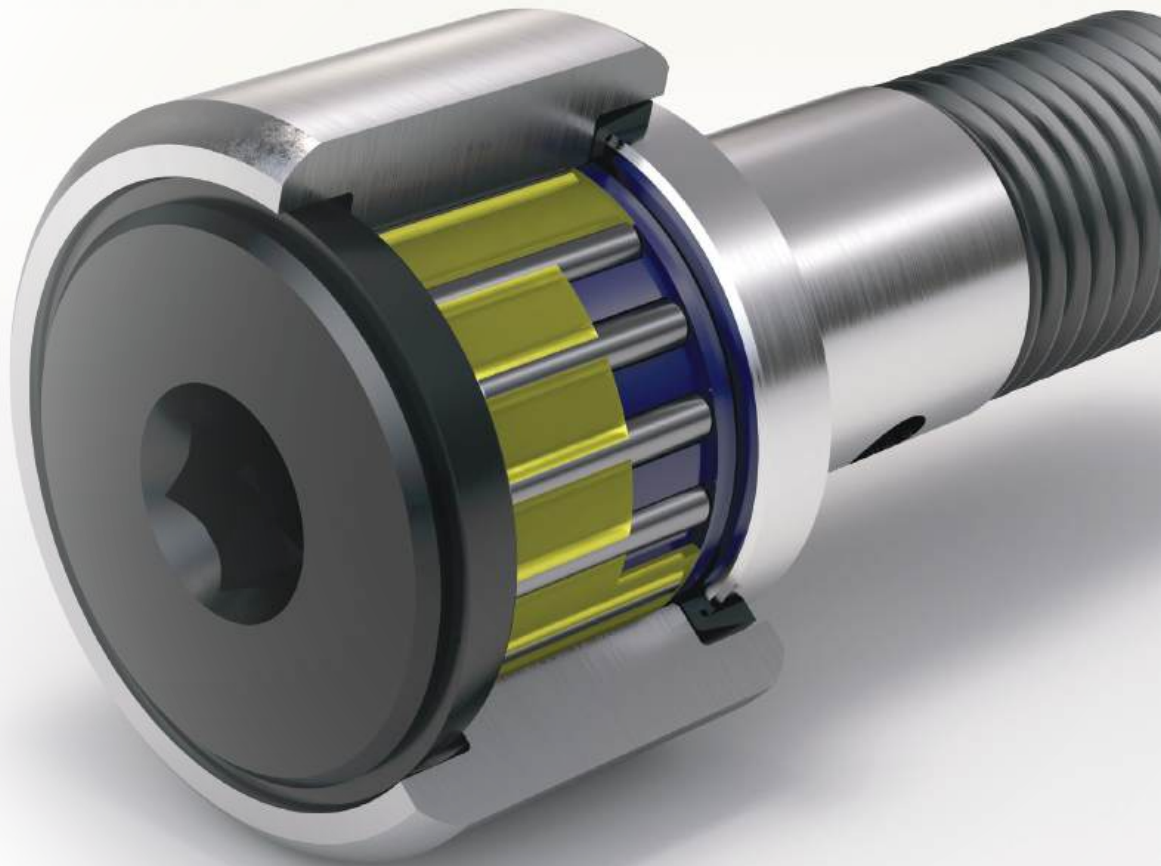
3235 Satellite Blvd., Building 400, Suite 230,
Duluth, GA 30096

Phone: 770-418-1904

Toll Free: 800-874-6445

Fax: 770-418-9403

Email: seo@ikonet.co.jp



IKO

Innovation, Know-how & Originality



ISO 9001 & 14001 Quality system registration certificate

The specifications and dimensions of products in this catalog are subject to change without prior notice. When these products are exported, the exporter should confirm a forwarding country and a use, and, in case of falling under the customer's requirements, take necessary procedures such as export permission application. Although all data in this catalog has been carefully compiled to make the information as complete as possible, NIPPON THOMPSON CO., LTD. shall not be liable for any damages whatsoever, direct or indirect, based upon any information in this catalog. NIPPON THOMPSON CO., LTD. makes no warranty, either express or implied, including the implied warranty of merchantability or fitness for a particular purpose. Reproduction and conversion without permission are prohibited.